



1750 Republic Wood Insert

Owner's Manual

- Masonry Fireplace Insert
- Zero-Clearance (Metal) Fireplace Insert



Save these instructions
for future reference

⚠ WARNING	
	HOT GLASS WILL CAUSE BURNS. DO NOT TOUCH GLASS UNTIL COOLED. NEVER ALLOW CHILDREN TO TOUCH GLASS.

SAFETY NOTICE:

If this appliance is not properly installed, a house fire may result. For your safety, follow the installation directions. Contact local building or fire officials about restrictions and installation inspection requirements in your area.

Travis Industries, Inc.

12521 Harbour Reach Drive
Mukilteo, WA 98275
www.travisproducts.com

© Copyright 2016, T.I.
\$10.00 100-01435
4151218



Tested to: U.L. 1482 & ULC S628

French language manuals at travisindustries.com
Manuels de Français langue à travisindustries.com

Introduction

We welcome you as a new owner of a 1750 wood-burning fireplace insert. In purchasing a 1750 fireplace insert you have joined the growing ranks of concerned individuals whose selection of an energy system reflects both a concern for the environment and aesthetics. This insert is one of the finest appliances the world over. This manual will explain the installation, operation, and maintenance of this appliance. Please familiarize yourself with the Owner's Manual before operating your appliance and save the manual for future reference. Included are helpful hints and suggestions which will make the installation and operation of your new appliance an easier and more enjoyable experience. We offer our continual support and guidance to help you achieve the maximum benefit and enjoyment from your appliance.

Important Information

No other 1750 fireplace insert appliance has the same serial number as yours. The serial number is stamped onto the label on the back of the appliance.

This serial number will be needed in case you require service of any type.

Model: 1750 Fireplace Insert

Serial Number: _____

Purchase Date: _____

Purchased From: _____

Register your warranty online at:

traviswarranty.com

Save Your Bill of Sale.

To receive full warranty coverage, you will need to show evidence of the date you purchased your heater.

We suggest that you attach your Bill of Sale to this page so that you will have all the information you need in one place should the need for service or information occur.



We suggest that our woodburning hearth products be installed and serviced by professionals who are certified in the U.S. by the National Fireplace Institute® (NFI) as NFI Woodburning Specialists or who are certified in Canada by Wood Energy Technical Training (WETT).



General Information

Introduction & Important Information 2
 Safety Precautions 4
 Features & Specifications 6

Fireplace Insert Installation

Planning The Installation 7
 Preparation for Installation 7
 Additional Accessories Needed for Installation 7
 Installation Considerations 7
 Additional Requirements for Canada 7
 Fireplace Requirements 8
 Fireplace Altered Tag 8
 Insert Placement Requirements 9
 Hearth Requirements 9
 Masonry Fireplace Requirements 9
 Zero-Clearance (Metal) Fireplace Requirements 10
 Drafting Performance 11
 Insert Rollers 11
 Flue Installation 11
 Surround Panel Installation 12
 Insert with Positive Connection 14
 Insert with Direct Connection (Masonry Fireplace) 14

Operating Your Appliance

Safety Notice 15
 Before Your First Fire 15
 Opening the Door 15
 Bypass Operation 17
 Starting a Fire 17
 Adjusting the Burn Rate 19
 Ash Removal 20
 Optional Blower Operation 21
 Re-Loading the Stove 22
 Overnight Burn 22
 Normal Operating Sounds 22
 Hints for Burning 23
 Selecting Wood 23
 Troubleshooting 24

Maintaining Your Appliance

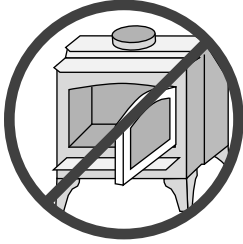
Daily Maintenance 26
 Remove Ash 26
 Clean The Glass 26
 Monthly Maintenance 27
 Door and Glass Inspection 28
 Check For Creosote Buildup 27
 Yearly Maintenance 28
 Touch Up Paint 28
 Blower Cleaning 28
 Firebrick and Baffle Inspection 28
 Door Parts 29
 Replacing the Glass 29
 Replacing the Door Gasket 29
 Replacing the Door Handle 29
 Firebox Parts 30
 Air Tube Removal and Replacement 31

Warranty 33

Listing Information 34

Index 36

Safety Precautions



The viewing door must be closed and latched during operation.

Smoke from this appliance may activate a smoke detector when the door is open.

Never block free airflow through the air vents on this appliance.



Gasoline or other flammable liquids must never be used to start the fire or "Freshen Up" the fire. Do not store or use gasoline or other flammable liquids in the vicinity of this appliance.



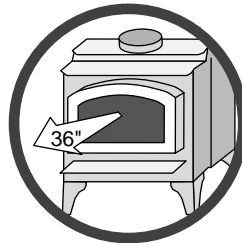
This appliance is designed and approved for the burning of cord wood only. Do not attempt to burn any other type of fuel other than cord wood in this appliance, it will void all warranties and safety listings.



Ashes must be disposed in a metal container with a tight lid and placed on a non-combustible surface well away from the home or structure.



Do not touch the appliance while it is hot and educate all children of the danger of a high-temperature appliance. Young children should be supervised when they are in the same room as the appliance.



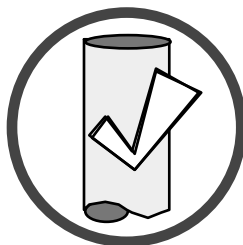
Keep furniture, drapes, curtains, wood, paper, and other combustibles a minimum of 36" away from the front of the appliance.



This appliance must be properly installed to prevent the possibility of a house fire. The instructions must be strictly adhered to. Do not use makeshift methods or compromise in the installation.

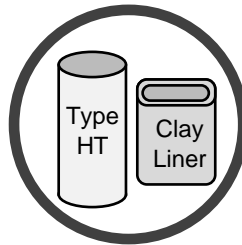


Contact your local building officials to obtain a permit and information on any installation restrictions or inspection requirements in your area. Notify your insurance company of this appliance as well.



Inspect the chimney connector and chimney at least twice monthly and clean if necessary. Creosote may build up and cause a house fire.

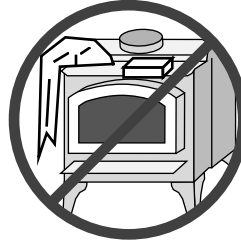
Do not connect this appliance to any chimney serving another appliance.



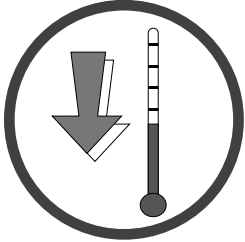
This appliance must be connected to a listed high temperature (UL 103 HT) residential type chimney or an approved masonry chimney with a standard clay tile, or stainless steel liner.



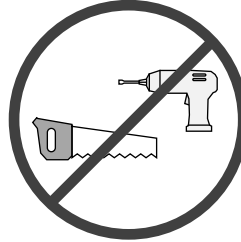
Never try to repair or replace any part of this appliance unless instructions are given in this manual. All other work must be done by a trained technician. Do not make any changes or modifications to an existing masonry fireplace or chimney to install this appliance.



Do not place clothing or other flammable items on or near this appliance.



Allow the appliance to cool before carrying out any maintenance or cleaning.



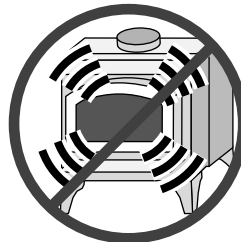
This wood heater has a manufacturer-set minimum low burn rate that must not be altered. It is against federal regulations to alter this setting or otherwise operate this wood heater in a manner inconsistent with operating instructions in this manual.



Maintain the door and glass seal and keep them in good condition.

Do not operate this heater with broken or missing glass.

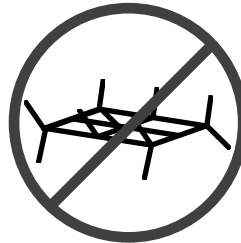
Avoid placing wood against the glass when loading. Do not slam the door or strike the glass.



Overfiring the appliance may cause a house fire. If a unit or chimney connector glows, you are overfiring.



Do not throw this manual away. This manual has important operating and maintenance instructions that you will need at a later time. Always follow the instructions in this manual.



Do not use a grate or other device to elevate the fire off of the firebox floor. Burn the fire directly on the bricks.



Travis Industries, Inc. grants no warranty, implied or stated, for the installation or maintenance of your appliance, and assumes no responsibility of any consequential damage(s).

Smoke and CO Detectors: Make sure your home has a working smoke detector, especially near any bedrooms. We recommend having a smoke and/or CO detector in the same room as the wood heater for additional safety.

Proposition 65 Warning: Fuels used in gas, woodburning or oil fired appliances, and the products of combustion of such fuels, contain chemicals known to the State of California to cause cancer, birth defects and other reproductive harm. California Health & Safety Code Sec. 25249.6

Installation Options

- Masonry Fireplace Insert
- Zero-Clearance (Metal) Fireplace Insert

Features

- 2.2 Cubic Foot Firebox Volume
- Single Operating Control
- Accepts Logs Up to 18" Long
- Steel Plate Construction (5/16" & 1/4")
- Heavy Duty Refractory Firebrick
- Optional High-Tech Blower

Heating Specifications

Approximate Maximum Heating Capacity (in square feet)*	1,200 to 2,000
Maximum Burn Time	Up to 10 Hours

* Heating capacity will vary depending on the home's floor plan, degree of insulation, and the outside temperature. It is also affected by the quality and moisture level of the fuel.

This model was not tested for efficiency however it is assigned a default efficiency of 63% by the EPA under previous subpart AAA. Efficiency of this wood heater will be affected by the operational burn rate and the moisture content of the wood used as fuel.

Dimensions

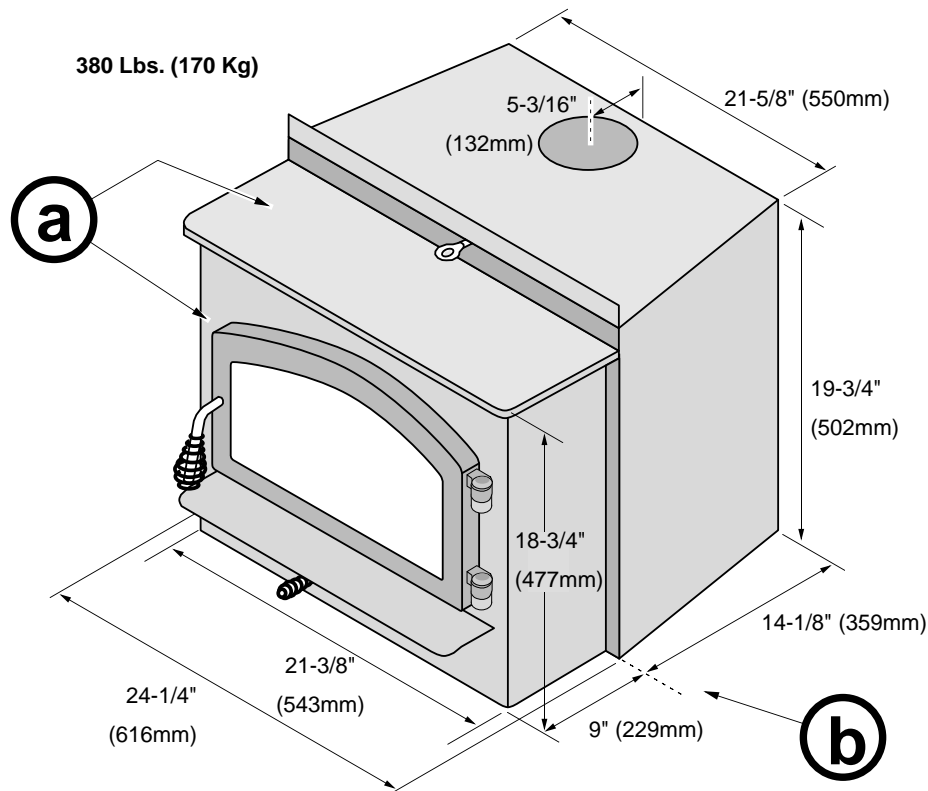


Figure 1

- (a) Measure side and top clearances from the top plate. Measure front clearances from the stove face
 (b) Fireplace Opening

Emissions

This heater meets the 2015 U.S. EPA's crib wood emission limits for wood heaters sold after May 15, 2015. Tested to Method 28, 5H this heater has been shown to deliver heat at rates ranging from 9,300 to 42,200 BTU/hr and an emission value of 1.9g/h.

SAFETY NOTICE:

Please read this entire manual before you install and use your new room heater. Failure to follow instructions may result in property damage, bodily injury, or even death. Contact local building or fire officials about restrictions and installation inspection requirements in your area.

Planning The Installation



We suggest that you have an authorized Travis Industries dealer install your fireplace insert. If you install the fireplace insert yourself, your authorized dealer should review your installation plans.



Check with local building officials for any permits required for installation of this fireplace insert and notify your insurance company before proceeding with installation.



The location of your wood heater in your home will decide how affectively the heat produced will spread throughout your house. Attention to the home design with consideration of natural convection and air circulation should be taken into account when choosing the placement of your heater within the home.

Preparation for Installation

- Check for damage to the exterior of the fireplace insert (dents should be reported, scratches can be fixed by applying touch up paint).
- Check the interior of the firebox (replace cracked firebrick and make sure baffle is in place).



The fireplace insert can be lightened by removing the firebricks and baffle - replace before operation.

Additional Accessories Needed for Installation

- Door (shipped separately)
- Surround Panels (see page12)

Installation Considerations

<u>Installation Type</u>	<u>Considerations</u>
Insert with Positive Flue (Full Reline) (Page 14) <u>REQUIRED IN CANADA</u>	<ul style="list-style-type: none"> • Utilizes existing masonry or zero clearance fireplace • Provides best draft • Easiest to clean
Insert with Direct Connect Flue (Page 14) <u>NOT APPROVED IN CANADA</u>	<ul style="list-style-type: none"> • Masonry fireplace only • Provides good draft • Requires fireplace block-off plate - see page 14

Additional Requirements for Canada

- Do not remove bricks or mortar from existing fireplace.
- This fireplace insert must be installed with a continuous chimney liner of 6” diameter extending from the fireplace insert to the top of the chimney. The chimney liner must conform to the Class 3 requirements of CAN/ULC-S636, Standard for Lining Systems for Existing Masonry or Factory-Built Chimneys and Vents, or CAN/ULC-S640, Standard for Lining Systems for New Masonry Chimneys.
- Permanently seal any opening between the masonry of the fireplace and the facing masonry.
- Fireplace insert, or surround panels, may be removed to inspect fireplace insert and fireplace.

Fireplace Requirements

Figure 2 shows the minimum size requirements for the type of fireplace used.

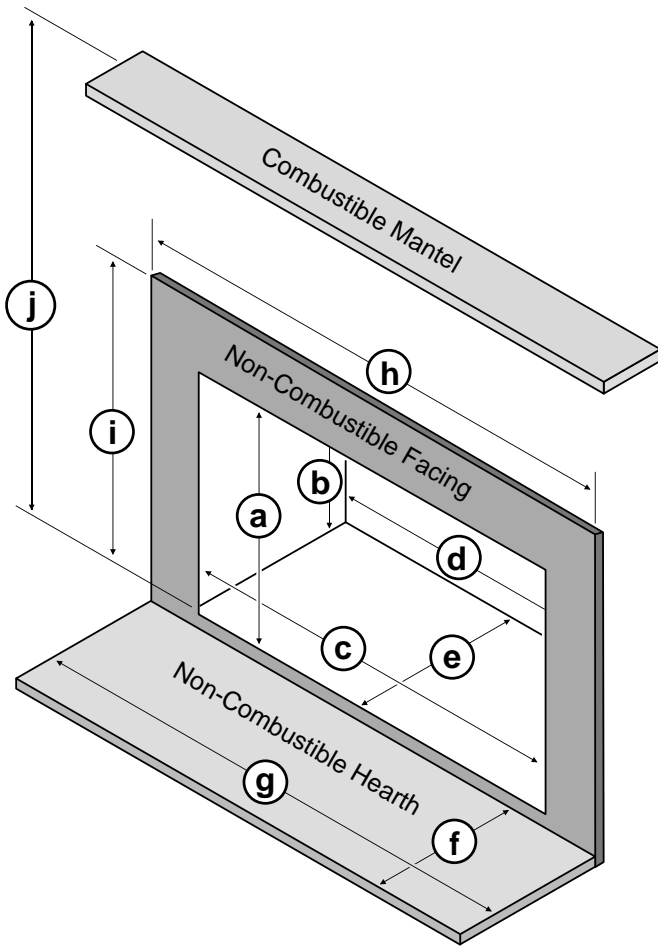


Figure 2

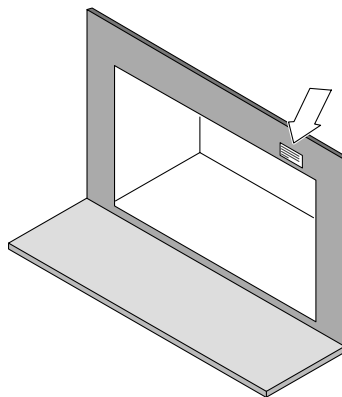
Minimum Fireplace Size	Masonry Fireplace	Z.C. (Metal) Fireplace
a Height (front)	19.75" 502mm	19.75" 502mm
b Height (rear)	19.75" 502mm	19.75" 502mm
c Width (front)	24.25" 616mm	26.25" 667mm**
d Width (rear)	21.625" 550mm	23.625" 601mm**
e Depth*	14.125" 359mm	15.125" 385mm**
f Hearth Depth* (includes insert depth on hearth plus required hearth extension)	25" 635mm (US) ----- 27" 686mm (Canada)	25" 635mm (US) ----- 27" 686mm (Canada)
g Hearth Width	36.25" 921mm ----- 40.25" 1023mm (Canada)	36.25" 921mm ----- 40.25" 1023mm (Canada)
h Facing Width	50.25" 1277mm	48.25" 1226mm
i Facing Height	47.25" 1201mm ----- 39.25" 997mm	30.75" 782mm ----- not applicable
j Mantel Height	49.25" 1251mm ----- 41.25" 1048mm	42.75" 1086mm ----- not applicable

* This dimension is for a 1-piece panel. Older 3-pieces panels (or 1-piece panels with trim) extend 1" (26mm) more onto the hearth and 1" (26mm) less into the fireplace.

** 1" (26mm) Clearance to fireplace walls is required for ZC Fireplaces.

Fireplace Altered Tag

Attach the "This fireplace has been altered..." plate to the fireplace (use two screws or other suitable method). You may wish to place it in a location where it will be covered by the surround panels.



Insert Placement Requirements

- The insert must be placed so that no combustibles are within, or can swing within (e.g. drapes, doors), 36" (915) of the front of the insert (see "q" below).
- Insert and hearth must be installed on a level, secure floor
- The minimum clearances, facing, and hearth requirements in shown below must be met. Follow the clearances for the type of fireplace being used – (masonry or zero-clearance-metal).

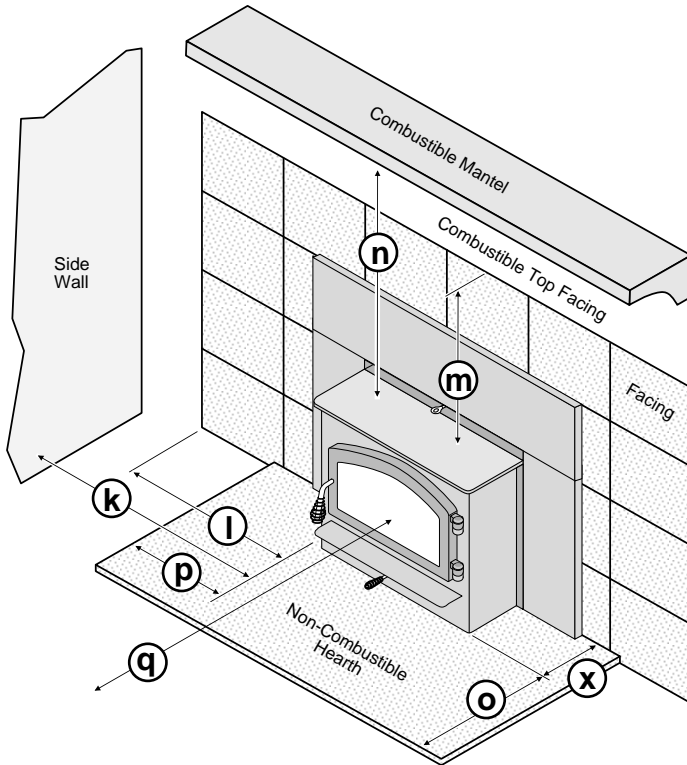


Figure 3

Minimum Clearances	Masonry Fireplace	Z.C. (Metal) Fireplace
k Sidewall to Insert	15" 381mm	30" 762mm
l Side Facing	13" 331mm	12" 305mm
m Top Facing with mantel shield	28.5" 724mm 20.5" 521mm	12" 305mm N/A
n Mantel to Insert with mantel shield	30.5" 775mm 22.5" 572mm	24" 610mm N/A
o Front Hearth	16" 407mm (US) 18" 458mm (Can)	16" 407mm (US) 18" 458mm (Can)
p Side Hearth	6" 203mm (US) 8" 204mm (Can)	6" 203mm (US) 8" 204mm (Can)
q Front of Insert	36" 915mm	36" 915mm
x Extension onto Hearth	9" 229mm	9" 229mm
This dimension is for a 1-piece panel. Older 3-piece panels (or 1-piece panels with trim) extend 10" (254mm) onto the hearth.		

Hearth Requirements

- Must extend 16" (USA) or 18" (Canada) in front of the insert and 6" (USA) or 8" (Canada) on both sides.
- Must be non-combustible and at least .018" thick (26 gauge)

Masonry Fireplace Requirements

CANADA ONLY:

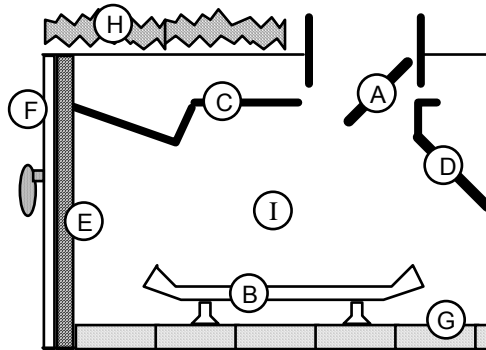
The fireplace insert must be installed with a continuous chimney liner of 6" diameter extending from the fireplace insert to the top of the chimney. The chimney liner must conform to the Class 3 requirement of Can/ULC S635, Standard Lining Systems for Existing Masonry or Factory- Built Chimney & Vents, or CAN/ULC S640, Standard for Lining Systems for New Masonry Chimneys.

- Chimney must have a clay tile liner or a stainless steel liner (positive connection).
- Entire fireplace, including chimney, must be clean and undamaged. Any damage must be repaired prior to installation of the insert.
- Chimney height: 15' (4.5M) minimum; 33' (10M) maximum.
- Entire fireplace, including chimney, must meet local building requirements.
- The fireplace insert must be placed on a masonry hearth built to UBC standards.

10 Fireplace Insert Installation (for qualified installers only)

Zero-Clearance (Metal) Fireplace Requirements

- Must be manufactured by one of the following manufacturers:
 - Marco • Majestic • Heatilator • Preway • Tempco • Superior
 - Heat N Glo • Lennox • Martin • Monesson
- Entire fireplace, including chimney, must meet local building requirements
- Chimney height: 15' minimum; 33' maximum.
- The damper ("A") and grate ("B") must be removed (see illustration below). The smoke shelf ("C"), internal baffles ("D"), screen ("E"), and metal or glass doors ("F") may be removed (if applicable). The masonry lining ("G"), insulation ("H"), and any structured rigid frame members (metal sides, floor, door frame, face of the fireplace, etc. – "I") may not be removed or altered



- The chimney on the ZC fireplace must be listed per UL 127 or ULC 610-M87 for all installations. Any thermal protection component of the fireplace or chimney must remain in place. The fireplace and chimney must be inspected prior to installation. A NFPA 211 Level II inspection is recommended. Repairs must be made prior to insert installation. The base of the fireplace must be structurally sound and able to support the weight of the insert.
- The stainless steel liner must be 6" diameter and extend the full height of the chimney (also called a positive connection or full re-line). This liner must meet type HT (2100°F) requirements per UL 1777 (USA) or ULC S635 with "0" clearance to masonry (Canada). The liner must be attached to the insert flue collar and to the top of the existing chimney.
- We recommend using the listed Travis ZC Liner Kit from Duravent (SKU 98900046, 47, or 48). If you do not use this kit, you must use the original ZC chimney cap.
- The liner support and cap at the top of the chimney must not reduce air flow for the existing air-cooled chimney system. The Travis ZC Liner Kit includes a cap that meets this provision.
- To prevent air from passing up the ZC fireplace chimney (the gap between the liner and chimney) we recommend sealing the area near the damper. Use non-combustible material to seal this area (non-backed fiberglass insulation or kaowool).
- The convection air channel on the fireplace must not be blocked. Do not block any louvers, grills, or air passages on the front of the fireplace.
- Entire fireplace, including chimney, must meet local building requirements. Permits may be required for installation. Final approval is contingent upon the authority having local jurisdiction. Inform your insurance agent of this fireplace insert.

Drafting Performance

Draft is the force which moves air from the appliance up through the chimney. The amount of draft in your chimney depends on the length of the chimney, local geography, nearby obstructions and other factors. Too much draft may cause excessive temperatures in the appliance and may damage the heater. Inadequate draft may cause backpuffing into the room and 'plugging' of the chimney. Inadequate draft will cause the appliance to leak smoke into the room through appliance and chimney connector joints. An uncontrollable burn or excessive temperature indicates excessive draft.

Insert Rollers

Two rollers are built into the back edge of the insert. This allows the insert to be rolled into position by lifting the front of the insert and pushing it into position (see Figure 4).

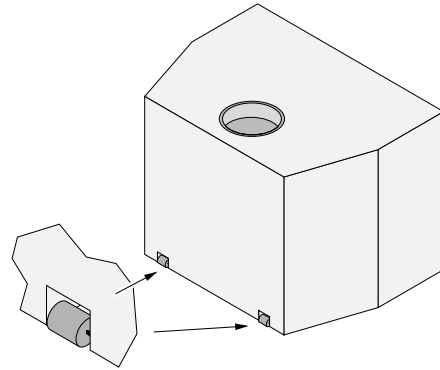


Figure 4

Leveling Bolt Installation

Two leveling bolts are pre-installed on the insert to allow for proper leveling within the fireplace. To access the bolts, remove the back corner firebricks and cover plates (see Figure 5 "a" and "b"). The bolts are pre-threaded to a weld-nut on the base of the insert. Use a 3/4" socket wrench to screw the bolts down (clockwise) until the insert is level (see "c").

MASONRY NOTE: You may wish to place a metal plate below the bolt if the masonry is weak.

SEALING THE COVER PLATE: We recommend sealing the cover plate with furnace cement (place on underside of cover plate).

BOLT LENGTH: The included bolts allow approximately 1" of rise. If additional rise is required, use a longer 1/2-13 thread bolt. Make sure the additional bolt length does not interfere with the cover plate.

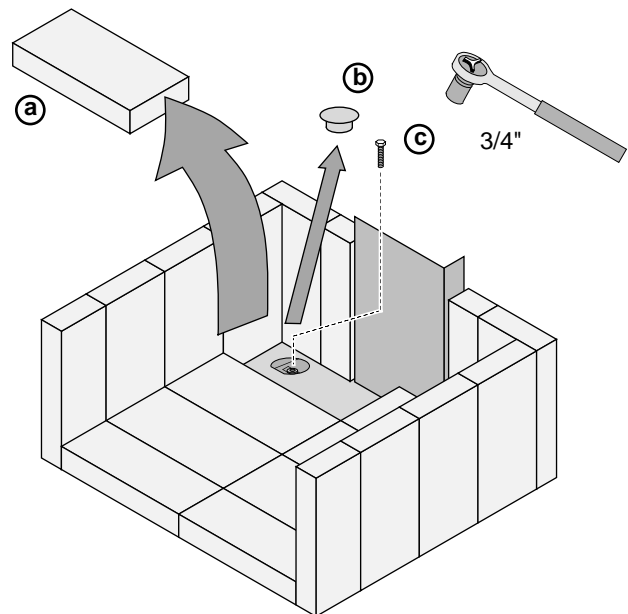


Figure 5

Flue Installation

- The flue must be 6" diameter and a minimum 24 gauge black steel.
- Use a starter section and screws to secure the flue to the insert. The starter section may require a notch to fit over the bypass rod.

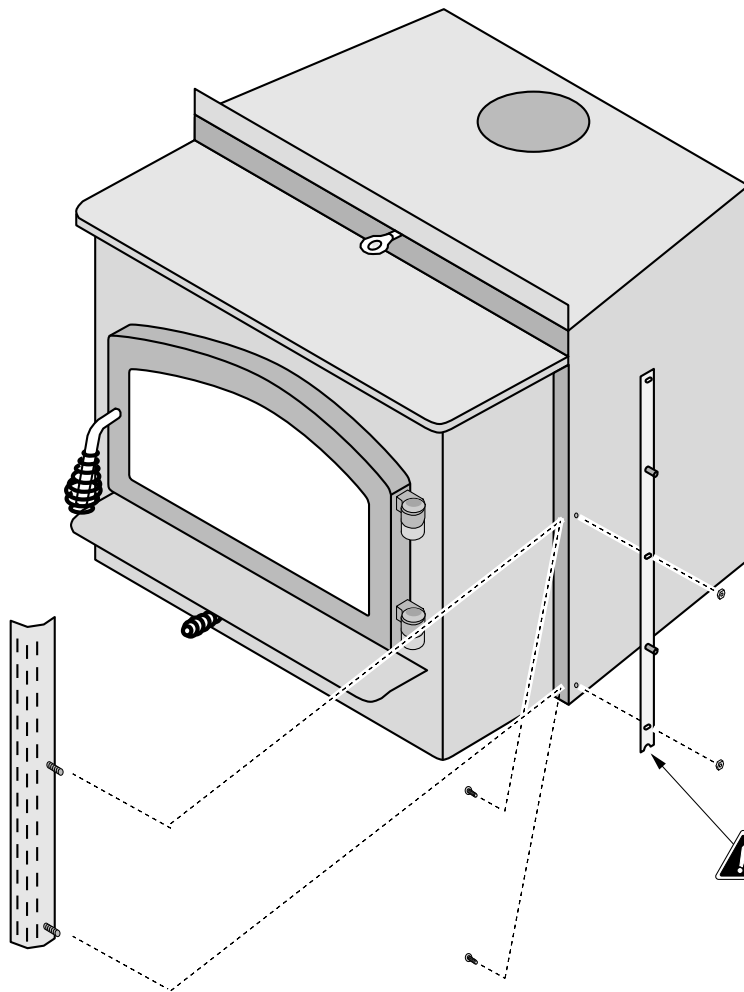
Surround Panel Installation

Rectangular Panels:

	<u>Height</u>	<u>Width</u>
Custom Panel 96100594	Custom	Custom
Small Panel 96100443	28.5"	40"
Medium Panel 96100444	30.5"	42"

Installation Instructions

1. The insert should be in position, but pulled out slightly to allow access to the sides and top of the insert.
2. Attach the side brackets to the side of the insert following the directions below.



REVERE

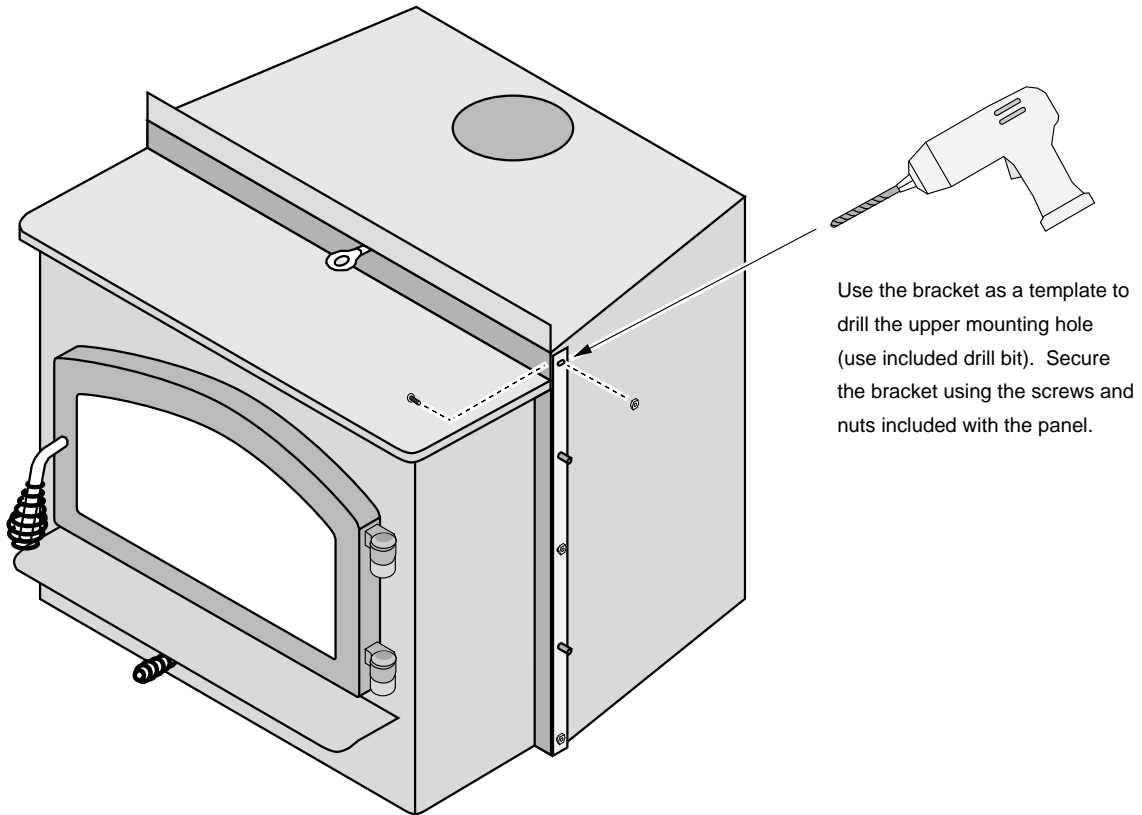
Attach the brackets using the studs on the side convection fronts and the nuts included with the panel.

1750i

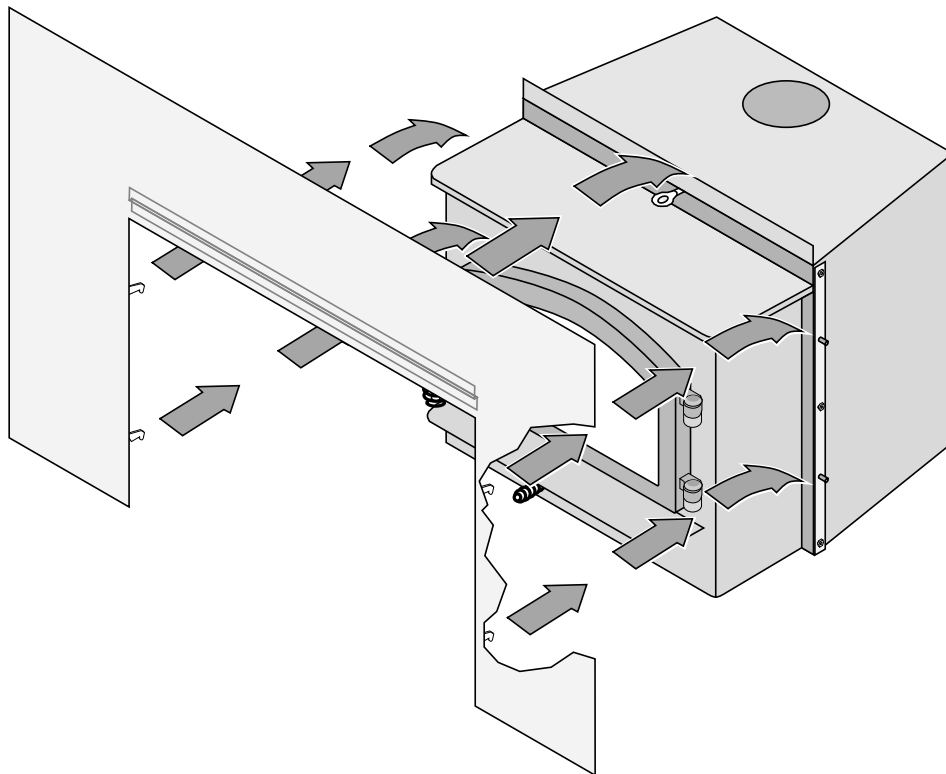
Attach the brackets using the screws and nuts included with the panel.

The brackets are not symmetrical.
Make sure to use the correct side bracket (make sure the notch is at the bottom).

3. Use the included drill bit to drill a hole into the top convection channel as shown in the illustration below. Use the included screws and nuts to fully secure the side brackets.



4. Place the insert into position (flue attached). Attach the surround panel as shown below.



**Insert with
Positive
Connection**

**REQUIRED IN
CANADA.**

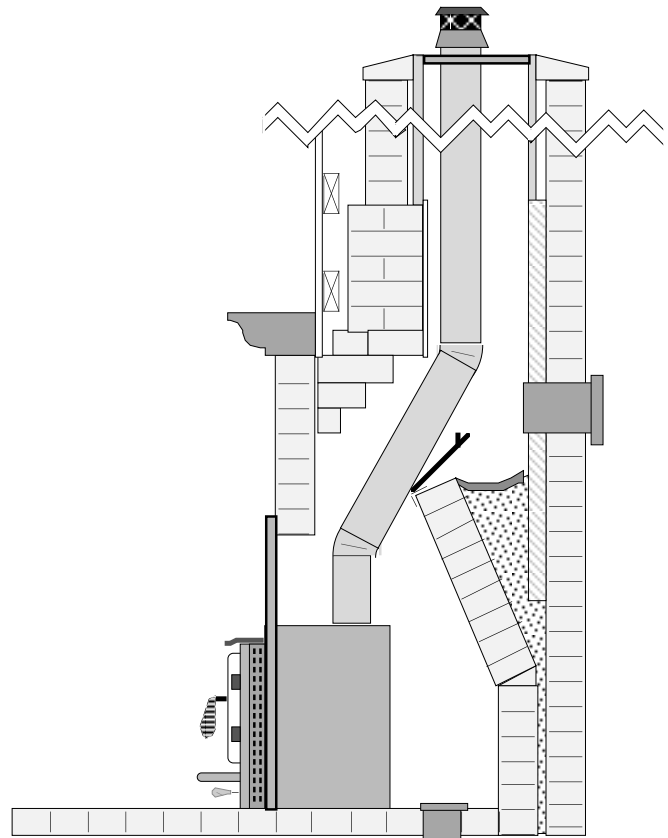


Figure 6

**Insert with Direct
Connection
(Masonry
Fireplace)**

**NOT ALLOWED IN
CANADA.**

A block-off plate or other non-combustible sealing device (e.g. damper adapter) is required. It must seal the chimney to insure smoke does not enter the home while providing the chimney system with sufficient draft.

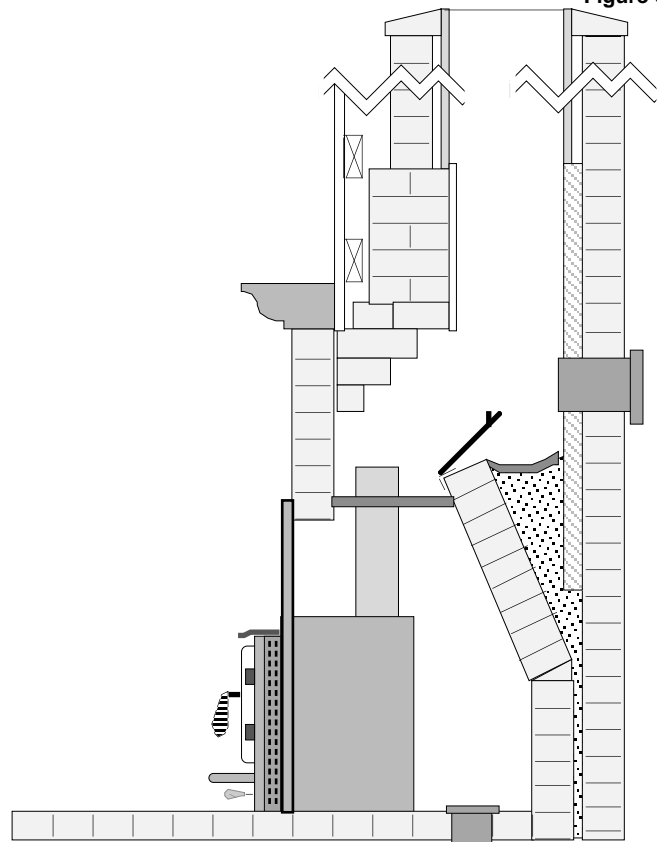


Figure 7

Safety Notice



If this appliance is not properly installed, a house fire may result. For your safety, follow the installation directions. Contact local building or fire officials about restrictions and installation inspection requirements in your area.



Read and follow all of the warnings on pages 4 and 5 of this manual.

Before Your First Fire

Verify the Installation

Before starting the stove, verify that the stove is properly installed and all of the requirements in this manual have been followed.



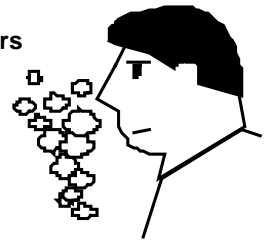
Keep all flammable materials 36" away from the front of the stove (drapes, furniture, clothing, etc.).

Curing the Paint

Follow the steps below to cure the paint (first fire):

- Open doors and windows in the room to ventilate the heater during the curing process.
- Vacate the room. The fumes from the initial heating process are non-toxic but may be unpleasant.
- Slowly bring the heater to a medium burn (400°F/204°C) for 45 minutes. Then increase the burn temperature to a hot burn (600°F/315°C) for an additional 45 minutes. This will cure the paint.

2 to 4 hours



Door Gasket - The door gasket might adhere to the paint on the front of the heater. Leave the door slightly ajar for the first fire and be careful when opening the door after the first fire.

Carbon Monoxide (CO) Emissions

Smoke from wood heaters contain CO. This gas is an indication of incomplete combustion and is detrimental to the environment and to your health. The more visible the smoke, the higher the CO levels. Burning dry wood is the most significant step you can take to reduce CO emissions. It is also important to understand the combustion process so you can burn your heater efficiently. Read the manual thoroughly so that you can operate your heater in the most efficient and clean manner possible.

Over-Firing the Stove

DO NOT OVERFIRE THIS HEATER: Attempts to achieve heat output rates that exceed heater design specifications can result in permanent damage to the heater.

This stove was designed to operate at a high temperature. But due to differences in vent configuration, fuel, and draft, this appliance can be operated at an excessive temperature. If the stove top or other area starts to glow red, you are over-firing the stove. Shut the air control down to low and allow the stove to cool before proceeding.



Over-firing may lead to damage of plated surfaces. If you are uncertain of over-firing conditions, we suggest placing a stove thermometer (e.g. Rutland® Model 710) directly over the door on the stove top - temperatures exceeding 800° are generally considered over-firing and will void the warranty.

Opening the Door

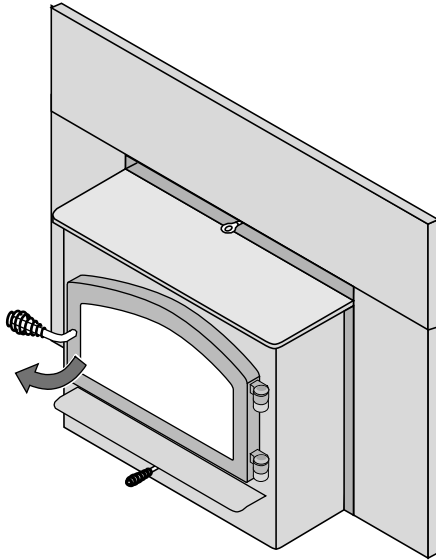


The door becomes hot during use. Use a glove to open the door if the handle is hot.

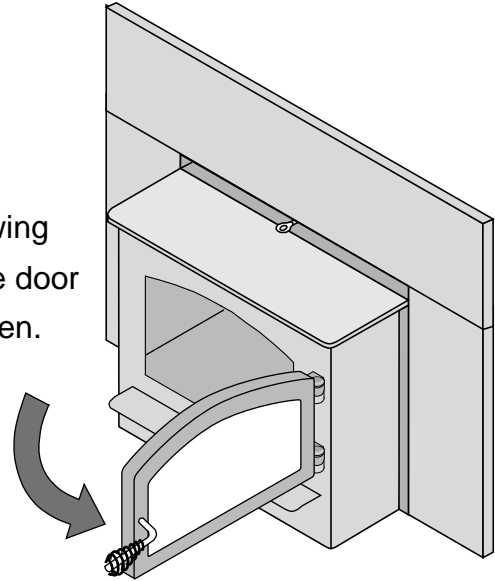


To prevent smoke from entering the room, open the bypass before opening the door (see following page for directions). You can also open the door a small amount and let air enter the firebox.

Rotate
the door
handle.



Swing
the door
open.

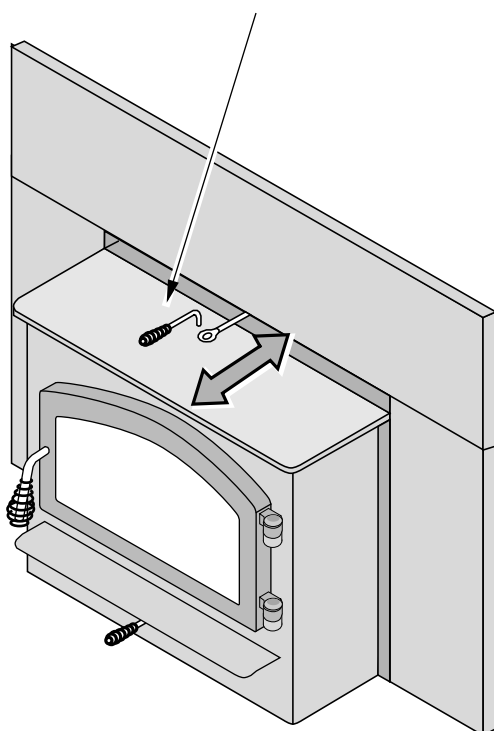


Bypass Operation

The bypass controls the flow of smoke inside the heater. When pulled out, smoke goes directly up the flue, creating more draft. When pushed in, the smoke goes around the baffle, utilizing the secondary combustion and making the heater more efficient.

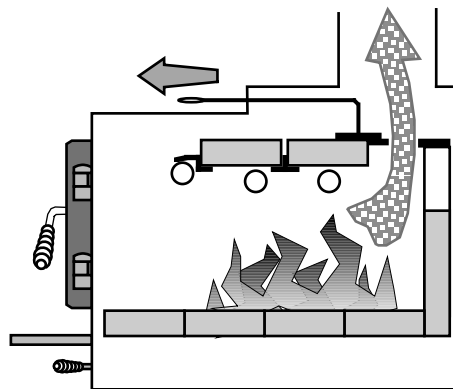
- When starting or re-loading, pull the bypass out.
- During normal operation, push the bypass in.

Use the included pull tool
to operate the bypass rod



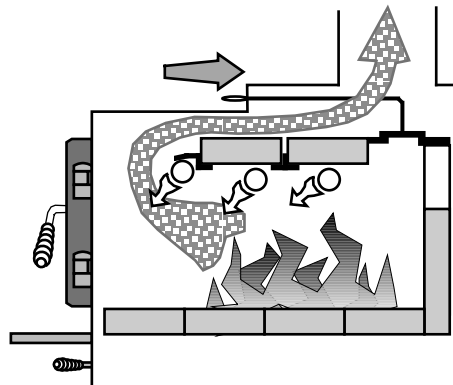
Bypass Pulled Out

Used for starting and re-loading



Bypass Pushed In

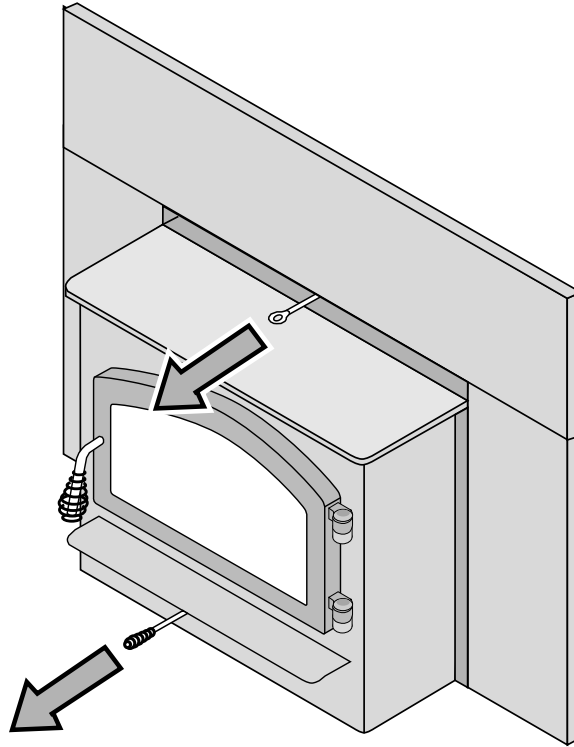
Used for normal operation



Starting a Fire

Since the dawn of time man has debated the best way to start a fire. Some use the boy-scout "tee-pee", some prefer the "tic-tac-toe" stack. Either way, review the hints and warnings below to ensure proper fire starting.

- Make sure the air control and by-pass are pulled out. If additional air is needed, open the doors 1/4" during the first five minutes of start-up.



Never use gasoline, gasoline-type lantern fuel, kerosene, charcoal lighter fluid, or similar liquids to start or "freshen up" a fire in this stove. Keep all such liquids well away from the stove while it is in use.



DO NOT USE CHEMICALS OR FLUIDS TO START THE FIRE. DO NOT BURN GARBAGE OR FLAMMABLE FLUIDS SUCH AS GASOLINE, NAPHTHA OR ENGINE OIL. Do not place such fuel within space heater installation clearances or within the space required for charging and ash removal.



If using a firestarter, use only products specifically designed for stoves - follow the manufacturer's instructions carefully.



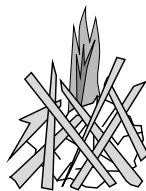
HOT WHILE IN OPERATION. KEEP CHILDREN, CLOTHING AND FURNITURE AWAY. CONTACT MAY CAUSE SKIN BURNS.



If the smoke does not pass up the chimney, ball up one sheet of newspaper, place it in the center of the firebox and light it. This should start the chimney drafting (this eliminates "cold air blockage").



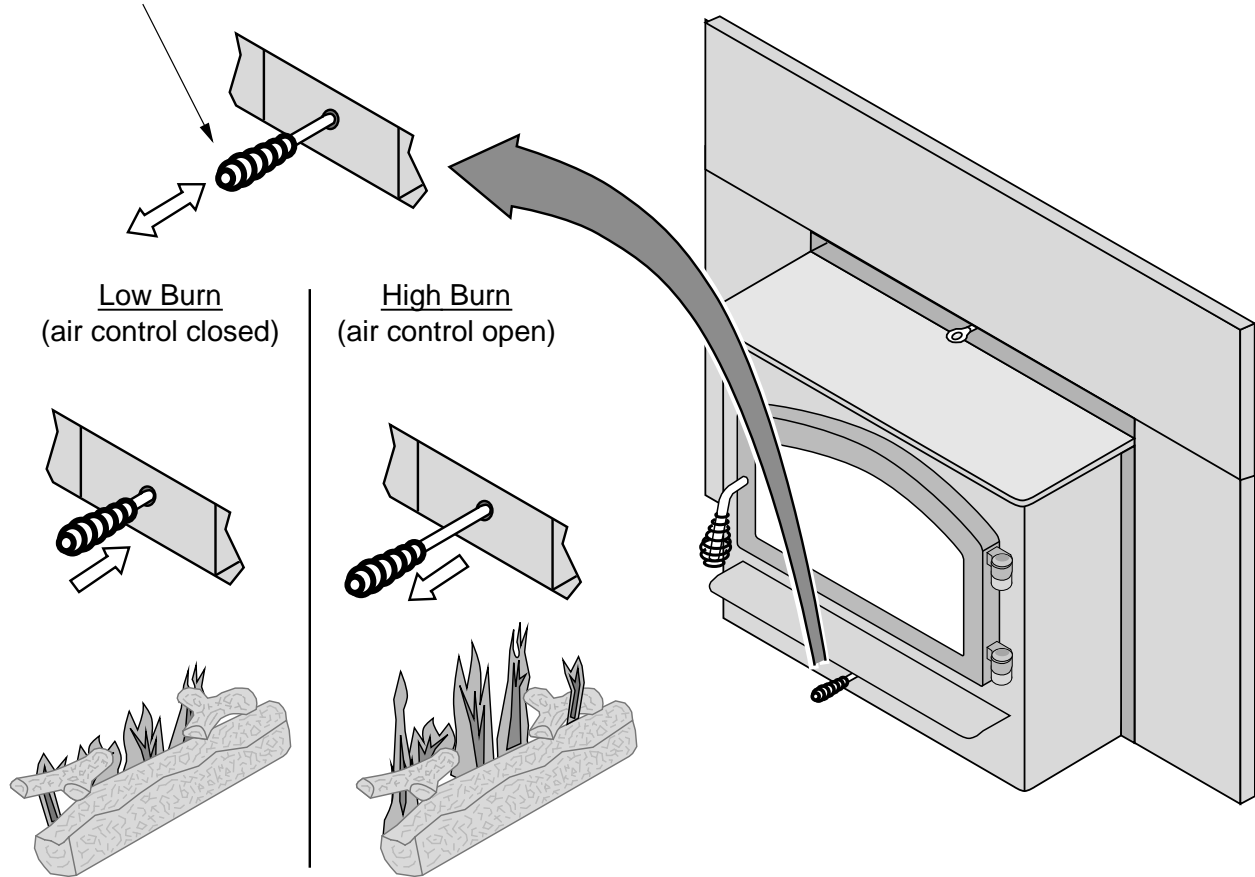
Use plenty of kindling to ensure the stove reaches a proper temperature. Once the kindling is burning rapidly, place a few larger pieces of wood onto the fire.



Adjusting the Burn Rate

Use the air control slider to control the burn rate of the stove. See the illustration below for details.

Use the air control to change the burn rate.



Approximate Air Control Settings:

Overnight Burn	Fully in to 1/8" open
Medium Burn	1/8" to 5/8" open
Medium High Burn	5/8" to fully open
High Burn	Fully open (pulled out)



The air control becomes hot during operation - use gloves or a tool to prevent burns.



The air control may take several minutes to influence the burn rate. When making adjustments, you may wish to let the stove burn for 10 minutes to gauge performance.

Understanding Your Heater's Combustion System

This heater uses a dual combustion system detailed below:

Primary Combustion: This is the combustion (fire) that takes place directly on the wood. Primary combustion determines how fast the fire burns. Air for primary combustion is supplied through the air control. When you adjust the air control you control the amount of air that reaches the fire and creates primary combustion. The air control supplies air to the air wash (the air holes above the door opening – used to help clean the glass) and through the pilot orifice (center bottom of the door opening). By using the air control, and supplying air through these two openings, you control primary combustion.

Secondary Combustion: This is the combustion (fire) that does not contact the wood. Secondary combustion burns the visible emissions or smoke that is not consumed during primary combustion. During some phases of combustion you will see secondary combustion. It appears as a glowing flame at the top of the firebox. Air for secondary combustion is supplied by the air tubes at the top of the firebox.

Items to Consider:

- During medium and high burn rates the stove will manage secondary and primary combustion on its own. When the heater is set to a low burn rate more care is needed to ensure the secondary combustion system works properly. Make sure the stove is hot and a good coal bed is established before adjusting your heater to low burn.
- Understanding the combustion system in this heater will help minimize the visible emissions this heater releases into the environment. The primary pilot orifice at the center bottom of the door opening is designed to help the secondary combustion at low burn settings. The pilot provides a small amount of air that burns up through the fuel load providing the heat and flame needed for the secondary system to ignite. The air tubes under the baffle need to remain ignited for low burns to be effective.
- As you load your heater for a low burn, take care in placing the wood. This will affect how well your secondary system works as the wood is consumed. Do not block the pilot orifice. Stack wood so the pilot air can burn its way up between the pieces, helping your heater burn effectively throughout the low fire. This will reduce the visible emissions your heater produces and increase the amount of heat you get from the wood. If you are unsure how well your heater is burning look at the chimney cap to monitor visible emissions.

Burning Your Heater

Starting a Fire: When starting a fire it is imperative to get the heater hot and drafting as quickly as possible. This promotes combustion and reduces emissions. There are many ways to start a fire and you will become adept as you become familiar with the way your heater burns. Before you start, make sure your burn rate setting (air control) is all the way open and the by-pass (if equipped) is open. We suggest that you use a layer of crumpled newspaper covered with a three layers of small kindling, stacked tic tac toe style with approximately ½"-1" gaps between them. Continue to layer wood on top of the kindling with the same air gaps using slightly bigger pieces increasing in size as you stack upward with the final layer being 3-5" diameter pieces loaded on the top. This should fill the firebox. Light the newspaper in several places near the door opening. Shut the door but do not latch it, creating a small opening to allow air to feed the kindling fire. Never leave your heater unattended if your door is not latched shut. While the kindling burns the fire will heat and ignite the larger pieces above. Once the whole load is burning shut and latch the door leaving the burn rate on high. Depending on your heater, the chimney, and the outside environment, you may need to leave your bypass open for up to 20 minutes after lighting the fire. If the fire dies when you shut the bypass you will need to leave it open longer. The presence of a hot coalbed is critical to good combustion. We cannot overstate the importance of a hot coal bed before slowing your burn rate or re-loading your heater. We recommend that you allow the first ignition load of wood to burn through at the high burn rate. This will get your heater up to temperature and establish a coal bed.

Reloading: When reloading a hot heater set the burn rate on high for at least 15 min before slowing it down.

Low Burn: If preparing for an overnight or low burn a longer heat up period may be necessary. Reload the heater full of wood making sure there are air gaps between the wood pieces so the pilot air can burn up through the middle load keeping the secondary combustion system hot and active throughout the burn. After loading, burn the heater on high for at least 15 minutes before setting the air control to low. Excessive creosote buildup (or sooting) in the heater at the end of a low burn signifies that the heater was not hot enough and the wood load was not burned long enough on high after loading before shutting down the air control.

Ash Removal



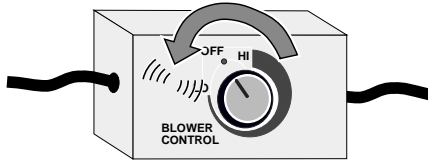
Whenever ashes get 3 to 4 inches deep in your firebox or ash pan, and when the fire has burned down and cooled, remove excess ashes. Leave an ash bed approximately 1 inch deep on the firebox bottom to help maintain a hot charcoal bed. Let the stove cool completely before removing ashes (wait at least two hours after the last coal has extinguished). Ashes should be placed in a metal container with a tight-fitting lid. The closed container of ashes should be placed on a noncombustible floor or on the ground, away from all combustible materials, pending final disposal. The ashes should be retained in the closed container until all cinders have thoroughly cooled.

Optional Blower Operation

The blower will turn on once the stove is up to temperature. This is typically 15 to 30 minutes after starting the fire. Follow the directions below to alter the blower speed.

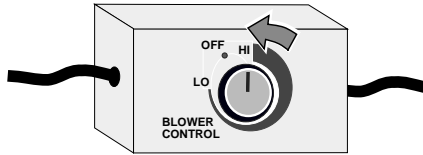
OFF

Turn the dial all the way counter-clockwise until it clicks off.



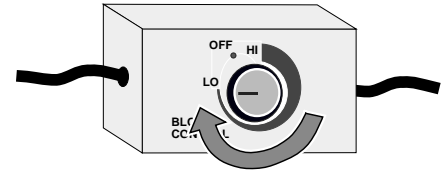
HIGH

The high position is all the way counter-clockwise, **without** clicking off.



LOW

Turn the dial all the way clockwise.



The blower may be used to affect heat output (i.e.: to reduce heat output, turn the blower down).



Route the power cord in a location where it will not come in contact with the appliance or become hot.

Re-Loading the Stove

Follow the directions below to minimize smoke spillage while re-loading the stove.

- 1 Open the air control all the way (pull out). Open the bypass (pull out).
- 2 Open the door slightly. Let the airflow inside the firebox to stabilize before opening the doors fully.
- 3 Load wood onto the fire.

Overnight Burn

This stove is large enough to accommodate burn times up to eight hours. Follow the steps below to achieve an overnight burn.

- 1 Move the air control to high burn and let the stove become hot (burn for approximately 15 minutes).
- 2 Load as much wood as possible. Use large pieces if possible.
- 3 Let the stove burn on high for 15 minutes to keep the stove hot, then turn the air control to low.
- 4 In the morning the stove should still be hot, with embers in the coal bed. Stir the coals and load small pieces of wood to re-ignite the fire, if desired.



Differences in chimney height and draft may lower overall burn times.

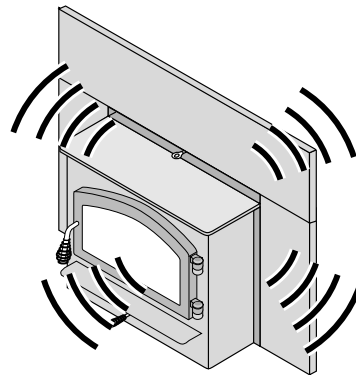
Normal Operating Sounds

Creaks and Clicks:

The 3/16" and 5/16" steel may creak or click when the stove heats up and cools down - this is normal.

Blower Sounds:

The blower will make a slight "hum" as it pushes air through the stove.



Hints for Burning

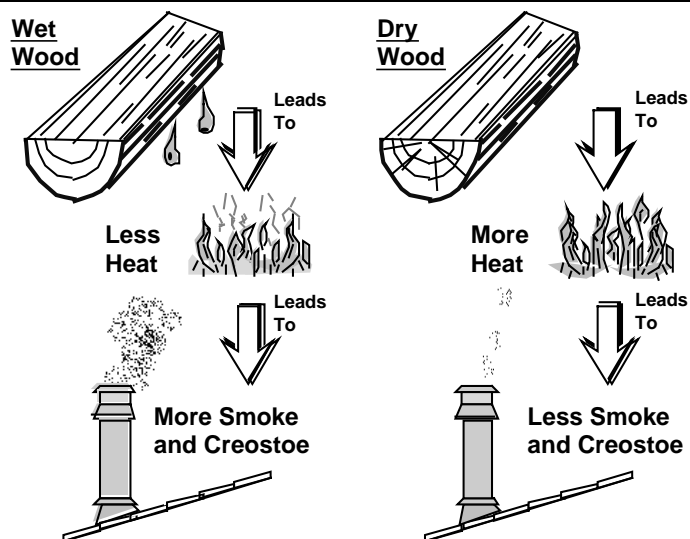
- Get the appliance hot before adjusting to low burn
- Use smaller pieces of wood during start-up and high burns to increase temperature
- Use larger pieces of wood for overnight or sustained burns
- Stack the wood tightly together to establish a longer burn
- Be considerate of neighbors & the environment: burn dry wood only
- Burn small, intense fires instead of large, slow burning fires when possible
- Learn your appliance's operating characteristics to obtain optimum performance

Selecting Wood

- Dry Wood is Key
- Dry wood burns hot, emits less smoke and creates less creosote.

Testing Wood Moisture

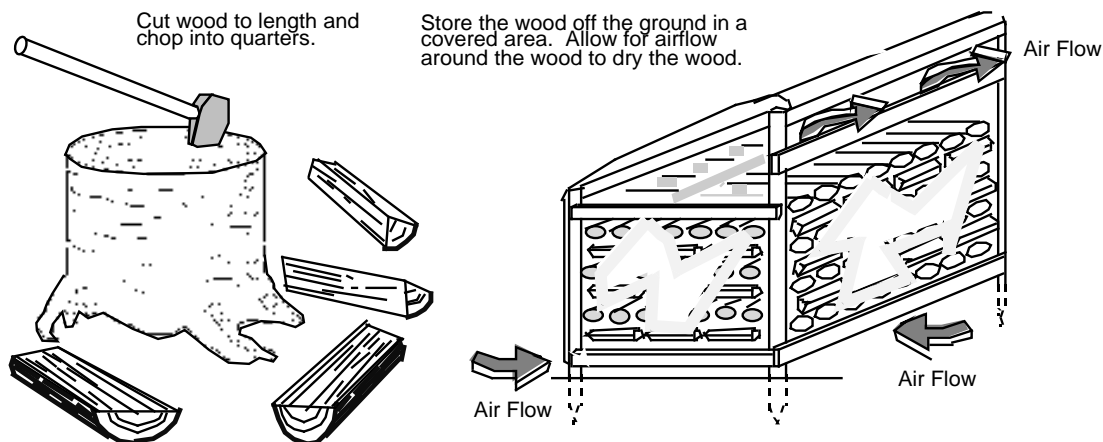
- Split wood stored in a dry area will be fully dry within a year. This insures dry wood. If purchasing wood for immediate use, test the wood with a moisture meter. Some experienced wood burners can measure wood moisture by knocking pieces together and listening for a clear "knock" and not a "thud".



Why Dry Wood is Key

Wet wood, when burned, must release water stored within the wood. This cools the fire, creates creosote, and hampers a complete burn. Ask any experienced wood burner and he or she will agree: dry wood is crucial to good performance.

Wood Cutting and Storage



Do Not Burn List

This heater is designed to burn natural wood only. Higher efficiencies and lower emissions generally result when burning air dried seasoned hardwoods, as compared to softwoods or to green or freshly cut hardwoods. **DO NOT BURN:**

- (1) Garbage;
- (2) Lawn clippings or yard waste;
- (3) Materials containing rubber, including tires;
- (4) Materials containing plastic;
- (5) Waste petroleum products, paints or paint thinners, or asphalt products;
- (6) Materials containing asbestos;
- (7) Construction or demolition debris;
- (8) Railroad ties or pressure-treated wood;
- (9) Manure or animal remains;
- (10) Salt water driftwood or other previously salt water saturated materials;
- (11) Unseasoned wood; or
- (12) Paper products, cardboard, plywood, or particleboard. The prohibition against burning these materials does not prohibit the use of fire starters made from paper, cardboard, saw dust, wax and similar substances for the purpose of starting a fire in an affected wood heater.

Burning these materials may result in release of toxic fumes or render the heater ineffective and cause smoke.

Troubleshooting

Problem	Possible Cause
Smoke Enters Room During Start-Up	<ul style="list-style-type: none"> • Open the bypass (pg. 17). • Open the air control (pg. 19). • Cold Air Blockage - burn a piece of newspaper to establish a draft. • If the flame is not getting enough air, a small crack in the door is all that is needed.
Kindling Does Not Start - Fire Smolders	<ul style="list-style-type: none"> • Open the bypass (pg. 17). • Open the air control (pg. 19). • Not enough starter paper - use additional newspaper if necessary. • If the flame is not getting enough air, a small crack in the door is all that is needed.
Smoke Enters Room While Re-Loading	<ul style="list-style-type: none"> • Open the bypass before opening the door (pg. 17). • Open the air control before opening the door (pg. 19). • Let the air stabilize before fully opening the door. Then open the door approximately 1 inch. Let air go into the firebox for a few seconds. Once the smoke appears to be flowing up the chimney consistently, open the door. • Insufficient Draft - Chimney height and outside conditions can negatively affect draft. In these cases a small amount of smoke may enter the home. Adding more pipe or a draft-inducing cap may help.
Stove Does Not Burn Hot Enough	<ul style="list-style-type: none"> • Wood is Wet - see the section "Selecting Wood" on page 23 for details on wood. • Make sure the air control is all the way open. Slide the control back and forth to insure the control is not stuck. • Insufficient Draft - Chimney height and outside conditions can negatively affect draft. In these cases the fire may burn slowly. Adding more pipe or a draft-inducing cap may help.
Blower Does Not Run	<ul style="list-style-type: none"> • Stove is Not Up to Temperature - This is normal. The blower will come on when the stove is hot - usually 15 to 30 minutes. • Electricity is Cut to the Blower - Check the household breaker or fuse to make sure it is operable.
Stove Does Not Burn Long Enough	<ul style="list-style-type: none"> • Depending upon wood, draft, and other factors, the burn time may be shorter than stated. Make sure the doors are sealing and not allowing air into the firebox - See the section "Door and Glass Inspection" on page 27 for details. • Check the ash bed for coals. Often, coals are still glowing under a slight bed of flyash. By raking these into a pile you can re-start your stove quickly.



Failure to properly maintain and inspect your appliance may reduce the performance and life of the appliance, void your warranty, and create a fire hazard.



Establish a routine for the fuel, wood burner and firing technique. Check daily for creosote build-up until experience shows how often you need to clean to be safe. Be aware that the hotter the fire the less creosote is deposited, and weekly cleaning may be necessary in mild weather even though monthly cleaning may be enough in the coldest months. Contact your local municipal or provincial fire authority for information on how to handle a chimney fire. Have a clearly understood plan to handle a chimney fire.

Daily Maintenance (while stove is in use)

Remove Ash (if necessary)

- Ash removal is **not** required once it builds up. 1/2" to 1" of ash may be desirable because it slows the burn rate. Generally, remove ash once it has built up over 1". Follow the directions below to remove ash.
 - Let the stove cool completely (at least two hours after the last coal has extinguished).
 - Place a cloth or cardboard protector over the hearth to catch ash and protect against scratching.
 - Open the doors and scoop the ash into a metal container with a tight fitting lid. The closed container of ashes should be placed on a noncombustible floor or on the ground, away from all combustible materials, pending final disposal.



Improperly disposed ashes lead to fires. Hot ashes placed in cardboard boxes, dumped in back yards, or stored in garages, are recipes for disaster.



Wood-burning stoves are inherently dirty. During cleaning have a vacuum ready to catch spilled ash (make sure ash is entirely extinguished).

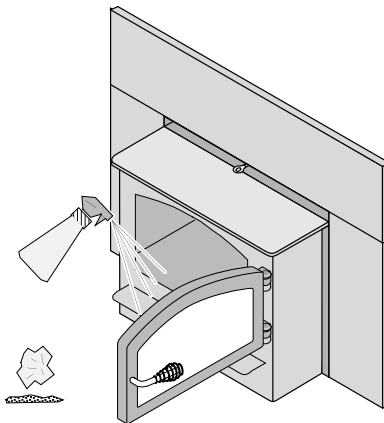


There are vacuum cleaners specifically made to remove ash (even if the ash is warm). Contact your dealer for details.

Clean the Glass (if necessary)

This appliance has an airwash to keep the glass clean. However, burning un-seasoned wood or burning on lower burn rates leads to dirtier glass (especially on the sides). Do not clean glass with abrasive cleaners. Allow the stove to fully cool before cleaning.

Apply glass cleaner or soapy water to the inside of the glass. Wipe with newspaper or a paper towel to clean. For stubborn creosote, dip a moist paper towel or newspaper in cold ash before cleaning. The ash acts as a mild abrasive.



The glass will develop a very slight haze over time. This is normal and will not affect viewing of the fire.

Monthly Maintenance (while appliance is in use)



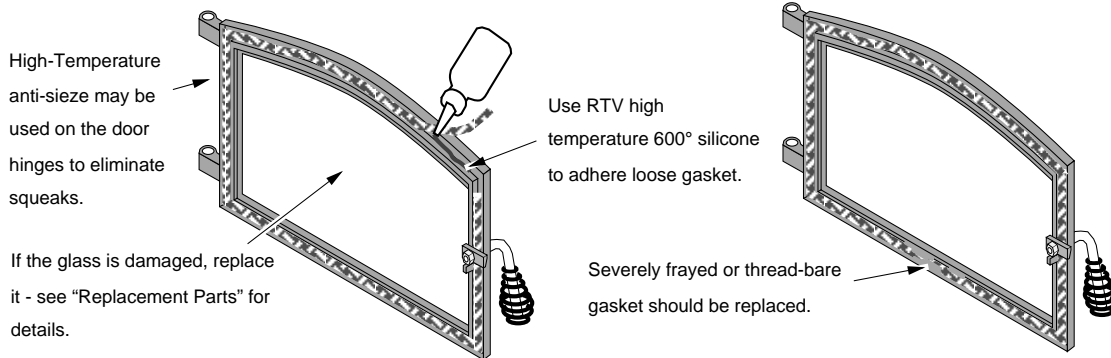
Make sure the appliance has fully cooled prior to conducting service.

Door and Glass Inspection



The door can be lifted off the hinges if extensive repairs are conducted.

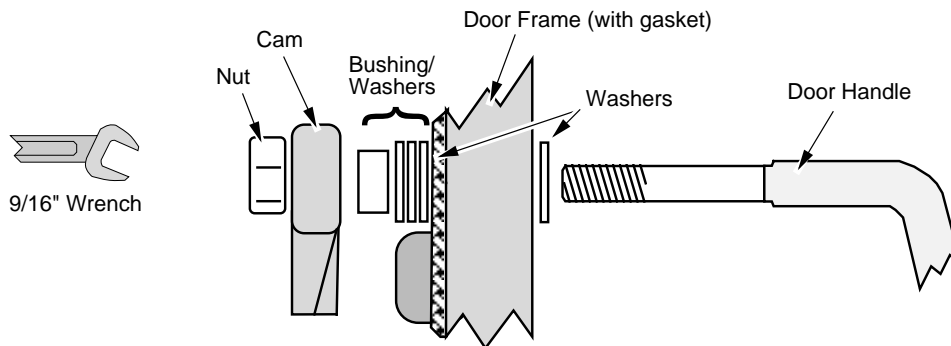
The door must form an air-tight seal to the firebox for the stove to work correctly. Inspect the door gasket to make sure it forms an air-tight seal to the firebox.



Door Cam Adjustment

The door cam should be tight enough to pull the door against the face of the stove yet not so tight as to not allow full handle rotation. To tighten the door cam, remove the door handle and remove one of the washers between the door frame and cam (the washer may be stored for future use by placing it between the cam and nut). To loosen the door cam, add a washer between the door frame and cam.

NOTE: Older models use 7 washers between the door & cam. Newer models use 1 bushing & 3 washers.



Creosote - Formation and Need for Removal

When wood is burned slowly, it produces tar and other organic vapors, which combine with expelled moisture to form creosote. The creosote vapors condense in the relatively cool chimney flue of a slow-burning fire. As a result, creosote residue accumulates on the flue lining. When ignited, this creosote makes an extremely hot fire. The chimney and chimney connector should be inspected at least once every two months during the heating season to determine if a creosote buildup has occurred. If creosote has accumulated, it should be removed to reduce the risk of a chimney fire.



If you are not certain of creosote inspection, contact your dealer or local chimney sweep for a full inspection. Excess creosote buildup may cause a chimney fire, that may result in property damage, injury, or death.



Operating this appliance continually at a low burn rate (air starvation) or using green (un-seasoned wood) will increase the formation of creosote.

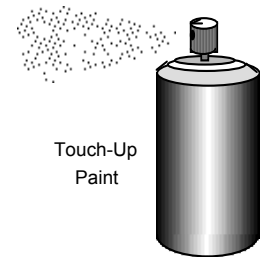
Yearly Maintenance



Make sure the appliance has fully cooled prior to conducting service.

Touch Up Paint

Included with the owner's pack of this appliance is a can of Stove-Brite® paint. To touch up nicks or dulled paint, apply the paint while the appliance is cool. Sand rusted or damaged areas before preparation (use 120 grit sandpaper). Clean and dry the area to prepare the surface. Wait at least one hour before starting the appliance. The touched up area will appear darker than the surrounding paint until it cures from heat. Curing will give off some fumes while curing – open windows to ventilate.

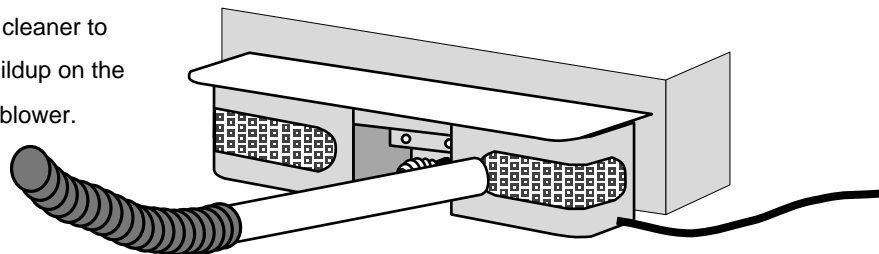


Cleaning the Air Duct and Blower (if applicable)

Use a vacuum to clean the air ducts (channels). This prevents dust from burning and creating odors.

The blower should be vacuumed every year to remove any buildup of dust, lint, etc.

Use a vacuum cleaner to remove any buildup on the screens of the blower.



Firebrick and Baffle Inspection

Use the illustration on page 30 as a reference for checking the following items. Make sure the appliance is cool before proceeding.

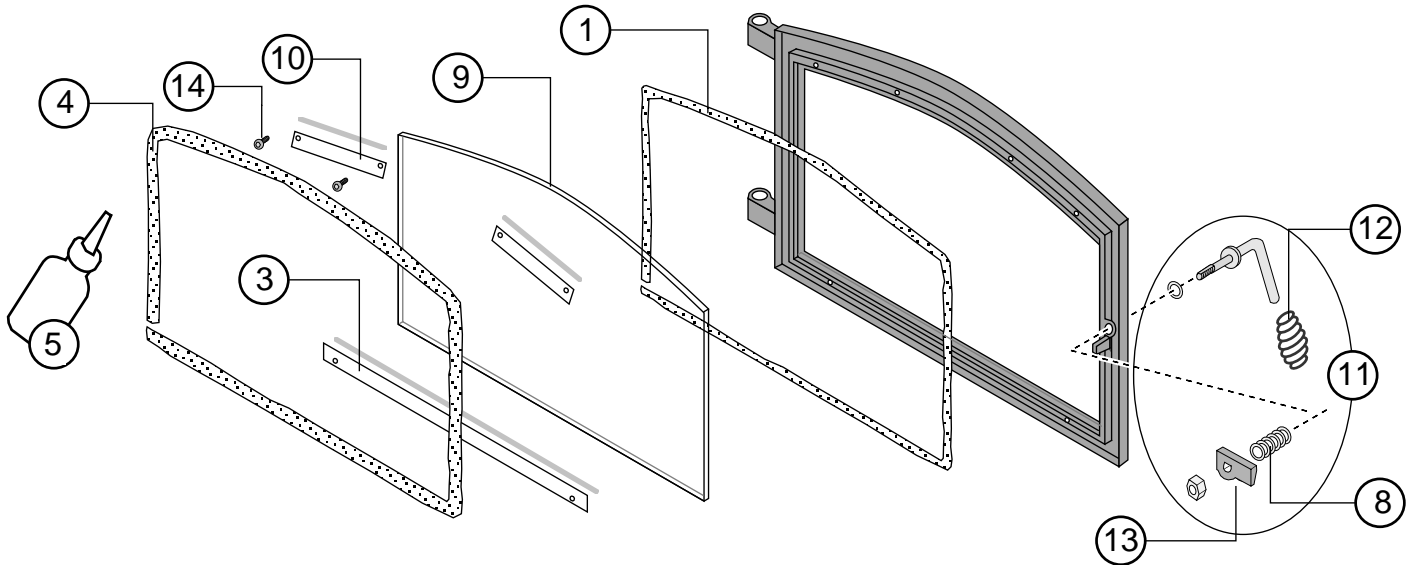
Baffle Firebricks - check the bricks along the ceiling of the firebox to make sure they are intact and have no gaps between them. Slide the bricks to eliminate any gaps.

Baffle Supports - make sure the front and back baffle supports in are place and not degraded. Slight scaling or rusting of the metal is normal.

Secondary Air Tubes - Check the air tubes and collars to make sure they are intact and not severely deteriorated. Slight scaling or rusting of the metal is normal. Make sure the push pins hold the air tubes in place.

Floor and Wall Firebricks - replace any severely damaged firebrick along the side or floor of the firebox.

Door Parts



ID #	Description	Qty	Part #	ID #	Description	Qty	Part #
1	Glass Gasket	1	250-00173	4	Door Gasket	1	250-00170
3	Glass Clip w Gasket- 3 Hole	2/1	250-00174	8	Door Washer	1	250-00364
5	RTV High Temp. 600° Silicone			10	Glass Clip w Gasket- 2 Hole	1	250-00175
9	Lopi Glass	1	250-00172	12	Lopi Door Handle (spring)	1	250-00373
11	Lopi Door Handle Asbly	1	250-00171	14	Screws (8) 8-32 x 1/2" Torx	1	225-20039
13	Door Cam	1	250-00598				

Replacing the Glass



The glass must not contact the door retainer or glass clips directly. The glass gasket and glass clip gaskets insulate the glass to prevent cracking. Do not over-tighten the glass clips.

Lay the glass gasket in the door frame (cut off excess gasket). Place the glass on the gasket. Secure the glass clips to hold the glass in place (make sure the glass clip gaskets are in place).

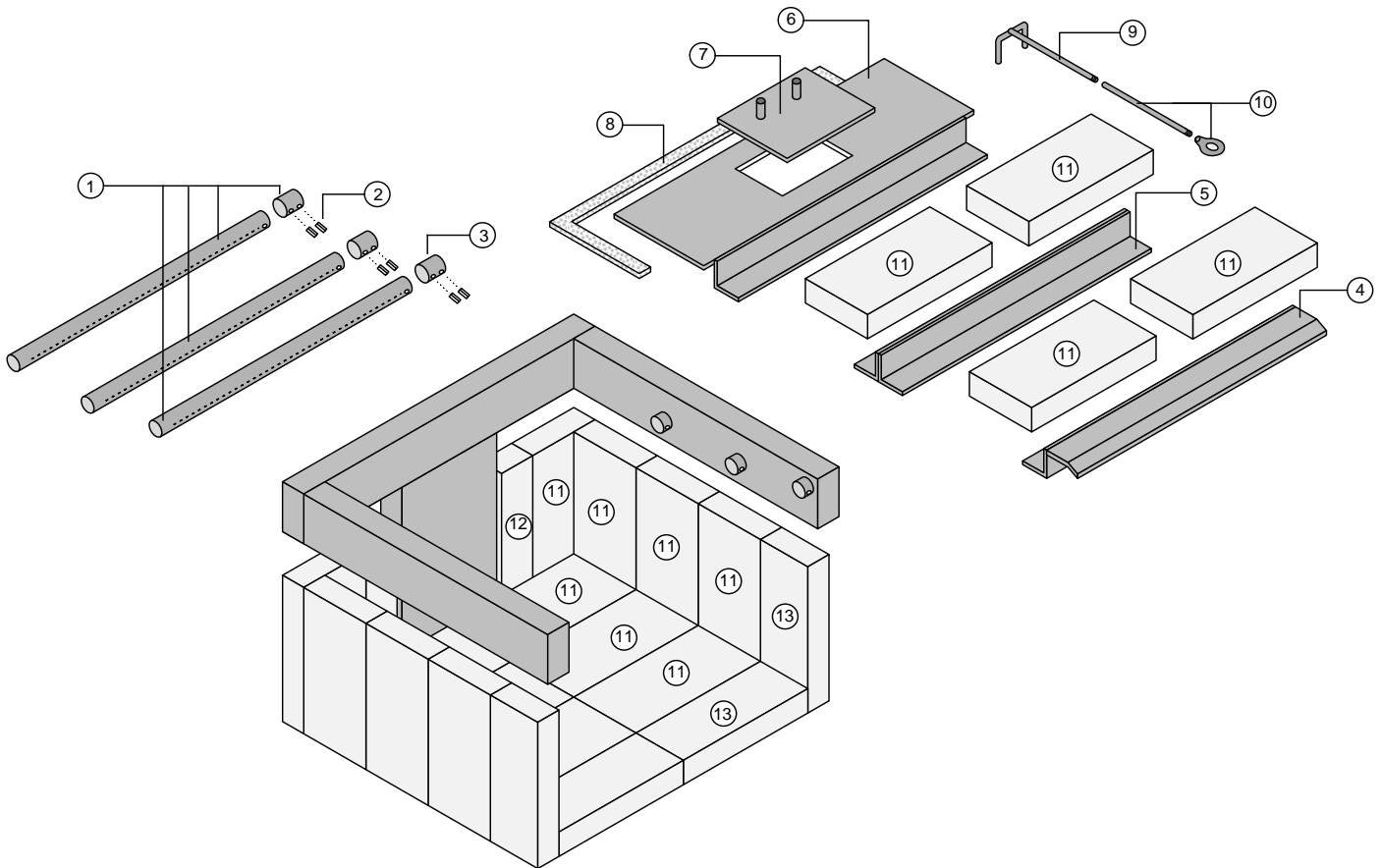
Replacing the Door Gasket

The door gasket inserts into the outer groove of the door and is secured with RTV high-temperature 600° silicone. Before installing, remove any residual cement. Lay the gasket in place (start at the lower left corner) and cut off any excess gasket (do not stretch the gasket. The cement fully cures with heat from the stove. You may need to open and close the door repeatedly to get the gasket to seat fully.

Replacing the Door Handle

See the illustration above for a component list (see pg. 27 for details on adjusting the door).

Firebox Parts



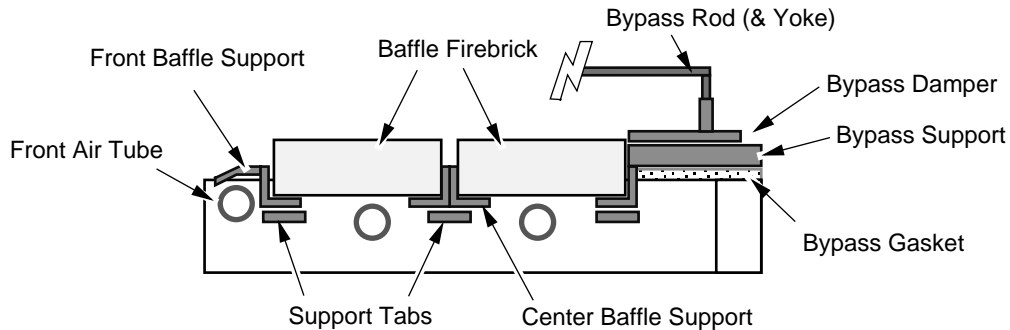
ID #	Description	Qty	Part #	ID #	Description	Qty	Part #
1	Air Tubes & Sleeve	1	98900233	2	Air Tube Roll Pins	6	98900357
3	Air Tube Retainer Sleeve	3	98900356	4	Baffle Support, Front	1	99900251
5	Baffle Support, Rear	1	99900250	6	Damper Plate	1	98900322
7	Damper Slider	1	98900343	8	Gasket, Damper Plate	1	91001701
9	Damper Yoke	1	98900325	10	Damper Extension Rod with Pull Ring	1	98900334
11	Brick - 9" x 4.5" un-cut	18	251-00000 (Single) 99900102 (Box of 8)	12	Brick, Cut - 9"x 2"	2	251-00021
13	Brick, Cut - 9" x 3.687	4	251-00022				

Floor and Side Firebrick Removal & Replacement

Do not pry firebrick - they chip and crack easily. Remove the floor firebricks first. The side firebrick are removed later because they are pinned in place by the floor firebrick. Clean the firebox prior to replacing the firebrick.

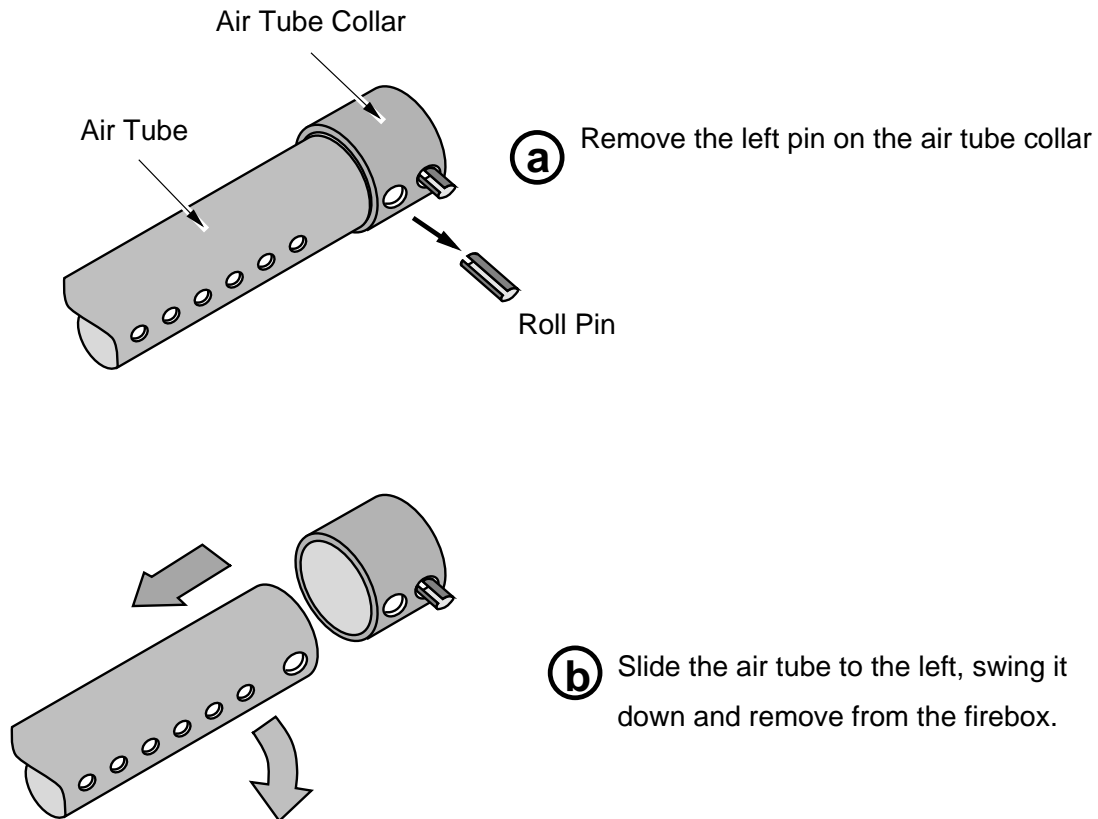
Baffle Removal & Replacement

- 1 Push the front firebricks up and feed them forward, guiding them out the door. Repeat for the rear firebricks.



- 2 The baffle supports rest on support tabs.
- 3 The bypass support and damper are difficult to remove and should only be removed if necessary. Remove the rear secondary air tube (see the following section for instructions). Slide the bypass support forward until the bypass rod can be disconnected from the bypass damper. Slide the damper forward and remove. The bypass support is removed by sliding it forward and rotating it downwards (the bypass holder fits very snug inside the firebox and is very heavy, making it difficult to remove). The bypass gasket rests on the side and rear air channels. Try not to damage it when removing the bypass holder.

Air Tube Removal & Replacement



Register your TRAVIS INDUSTRIES, INC. Limited 5 Year Warranty online at traviswarranty.com. TRAVIS INDUSTRIES, INC. warrants this gas appliance (appliance is defined as the equipment manufactured by Travis Industries, Inc.) to be defect-free in material and workmanship to the original purchaser from the date of purchase as follow:

Check with your dealer in advance for any costs to you when arranging a warranty call. Mileage or service charges are not covered by this warranty. This charge can vary from store to store.

Years 1 & 2 - COVERAGE: PARTS & LABOR

- Firebox Assembly:
Firebox, Baffle Supports, Air Tubes, Air Channels, Convection Chamber
- Door Assembly:
Cast Door, Latch Assembly, Glass Retainers
- Air Control Assembly
Slider Plate, Pressure Plate
- Ceramic Glass
Glass (breakage from thermal shock)
 - Firebrick
Breakage from thermal shock
 - Accessories
Legs, Pedestal, Blower
 - Re-Installation Allowance
In cases where heater must be removed from home for repairs, a partial cost of re-installation is covered (pre-authorization required)
 - One-Way Freight Allowance
One-way freight allowance on pre-authorized repair done at factory is covered.

Exclusions: Paint, Gasketing

Years 3 THROUGH 5 - COVERAGE: PARTS & LABOR

- Firebox Assembly:
Firebox, Baffle Supports, Air Tubes, Air Channels, Convection Chamber
- Air Control Assembly
Slider Plate, Pressure Plate
- Door Assembly:
Cast Door, Latch Assembly, Glass Retainers
- One-Way Freight Allowance
One-way freight allowance on pre-authorized repair done at factory is covered.

Exclusions: Paint, Gasketing, Accessories (Legs, Pedestal, Panels, Blower), Glass, Firebrick, Re-Installation Allowance
--

CONDITIONS & EXCLUSIONS

1. This new appliance must be installed by a qualified installer. It must be installed, operated, and maintained at all times in accordance with the instructions in the Owner's Manual. Any alteration, willful abuse, accident, neglect, or misuse of the product shall nullify this warranty.
2. This warranty is nontransferable, and is made to the ORIGINAL purchaser, provided that the purchase was made through an authorized Travis dealer.
3. Discoloration and some minor expansion, contraction, or movement of certain parts and resulting noise, is normal and not a defect and, therefore, not covered under warranty.
4. This warranty does not cover misuse of the stove. Misuse includes over-firing (operation where the connector or stove may glow red) of this appliance can cause serious damage and will nullify this warranty. Misuse includes use of salt saturated wood, chemically treated wood, or any fuel not recommended in the manual.
5. Damage to the stove due to improper break-in procedures (see manual for proper break in).
6. The salt air environment of coastal areas or a high humidity environment can be corrosive to the castings. These conditions can be corrosive and can cause the cast iron to rust. This warranty does not cover any damage caused by a salt air or high humidity environment.
7. Damage to the appliance while it is in transit is not covered by this warranty, but is subject to a claim against the common carrier.
8. The warranty, as outlined within this document, does not apply to the chimney components or other Non-Travis accessories used in conjunction with the installation of this product. If in doubt as to the extent of this warranty, contact your authorized Travis retailer before installation.
9. Travis Industries will not be responsible for inadequate performance caused by environmental conditions such as nearby trees, buildings, roof tops, wind, hills or mountains or negative pressure or other influences from mechanical systems such as furnaces, fans, clothes dryers, etc.
10. This Warranty is void if:
 - a. The appliance has been operated in atmospheres contaminated by chlorine, fluorine or other damaging chemicals.
 - b. The appliance is subject to submersion in water or prolonged periods of dampness or condensation.
 - c. Any damage to the appliance, combustion chamber, heat exchanger or other components due to water, or weather damage which is the result of, but not limited to, improper chimney/venting installation.
11. Exclusions to this 5 Year Warranty include: injury, loss of use, damage, failure to function due to accident, negligence, misuse, improper installation, alteration or adjustment of the manufacturer's settings of components, lack of proper and regular maintenance, damage incurred while the appliance is in transit, alteration, or act of God.
12. This 5 Year warranty excludes damage caused by normal wear and tear, such as paint discoloration or chipping, worn or torn gasketing, chipped or cracked firebrick, etc. Also excluded is damage to the appliance caused by abuse, improper installation, modification of the appliance, or the use of fuel other than that for which the appliance is configured (use cord wood only).
13. Damage to brass or plated surfaces caused by fingerprints, scratches, melted items, or other external sources left on the surfaces from the use of abrasive cleaners is not covered in this warranty. Damage to the surfaces from over-firing (operation where the steel may glow red) is not covered in this warranty.
14. TRAVIS INDUSTRIES, INC. is free of liability for any damages caused by the appliance, as well as inconvenience expenses and materials. Incidental or consequential damages are not covered by this warranty. In some states, the exclusion of incidental or consequential damage may not apply.
15. This warranty does not cover any loss or damage incurred by the use or removal of any component or apparatus to or from the Travis appliance without the express written permission of TRAVIS INDUSTRIES, INC. and bearing a TRAVIS INDUSTRIES, INC. label of approval. This warranty does not cover a stove repaired by someone other than a Travis Industries authorized dealer.
16. Any statement or representation of Travis products and their performance contained in Travis advertising, packaging literature, or printed material is not part of this 5 year warranty.
17. This warranty is automatically voided if the appliance's serial number has been removed or altered in any way. If the appliance is used for commercial purposes, it is excluded from this warranty.
18. No dealer, distributor, or similar person has the authority to represent or warrant Travis products beyond the terms contained within this warranty. TRAVIS INDUSTRIES, INC. assumes no liability for such warranties or representations.
19. Travis Industries will not cover the cost of the removal or re-installation of hearths, facing, mantels, venting or other components.
20. If for any reason any section of this warranty is declared invalid, the balance of the warranty remains in effect and all other clauses shall remain in effect.
21. This 5 year warranty is the only warranty supplied by Travis Industries, Inc., the manufacturer of the appliance. All other warranties, whether express or implied, are hereby expressly disclaimed and purchaser's recourse is expressly limited to the warranties set forth herein.

IF WARRANTY SERVICE IS NEEDED:

1. If you discover a problem that you believe is covered by this warranty, you MUST REPORT it to your Travis dealer WITHIN 30 DAYS, giving them proof of purchase, the purchase date, and the model name and serial number.
2. Travis Industries has the option of either repairing or replacing the defective component.
3. If your dealer is unable to repair your appliance's defect, he may process a warranty claim through TRAVIS INDUSTRIES, INC., including the name of the dealership where you purchased the appliance, a copy of your receipt showing the date of the appliance's purchase, and the serial number on your appliance. At that time, you may be asked to ship your appliance, freight charges prepaid, to TRAVIS INDUSTRIES, INC. TRAVIS INDUSTRIES, INC., at its option, will repair or replace, free of charge, your appliance if it is found to be defective in material or workmanship within the time frame stated within this 5 year warranty. TRAVIS INDUSTRIES, INC. will return your appliance, freight charges (years 1 to 3) prepaid by TRAVIS INDUSTRIES, INC., to your regional distributor, or dealership.
4. Check with your dealer in advance for any costs to you when arranging a warranty call. Mileage or service charges are not covered by this warranty. This charge can vary from store to store.
5. Any appliance or part thereof that is repaired or replaced during the limited warranty period will be warranted under the terms of the limited warranty for a period not to exceed the remaining term of the original limited warranty or six(6) months, whichever is longer.

Listing Label

DO NOT REMOVE THIS LABEL

CONTACT LOCAL BUILDING OR FIRE OFFICIALS ABOUT INSTALLATION AND RESTRICTIONS IN YOUR AREA.
SUITABLE FOR USE IN FACTORY-BUILT (Z.C.) FIREPLACES AND MASONRY FIREPLACES.

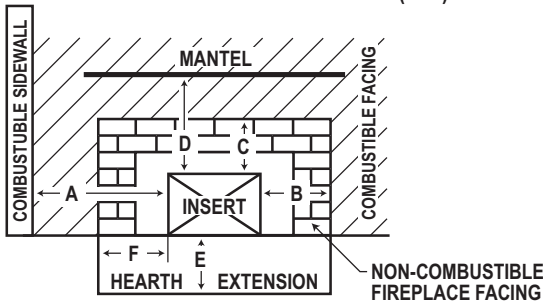


MODEL:
1750 INSERT
Certified for USA and Canada

SERIAL NO:
[REDACTED]

CONFORMS TO UL STD 1482; CERTIFIED TO ULC STD S628-1993

FACTORY-BUILT (Z.C.) FIREPLACE OR MASONRY FIREPLACE INSTALLATION



Minimum Clearance to Combustibles and Hearth Requirements	Masonry Fireplace Installations	Factory-Built (Z.C.) Fireplace Installations
A.	15 in. / 381 mm	30 in. / 762 mm
B.	13 in. / 331 mm	12 in. / 305 mm
C.	28.5 in. / 724 mm	12 in. / 305 mm
With Shield	20.5 in. / 521 mm	N/A
D.	30.5 in. / 775 mm	24 in. / 610 mm
With Shield	22.5 in. / 572 mm	N/A
E. (US)	16 in. / 407 mm	16 in. / 407 mm
E.(Can)	18 in. / 458 mm	18 in. / 458 mm
F. (US)	6 in. / 153 mm	6.0 in. / 153 mm
F. (Can)	8 in. / 204 mm	8.0 in. / 204 mm

Factory-Built (Z.C.) Fireplace installations require a minimum 24" starter section directly connected to the fireplace chimney or a full re-line. Factory-Built (Z.C.) Fireplace chimney must have a minimum cross-sectional area of 28.85 square inches. The Factory-Built (Z.C.) Fireplace damper and control must be removed, or secured in the open position. For minimum Factory-Built (Z.C.) Fireplace firebox size, see manufacturer's installation instructions. Factory-Built (Z.C.) Fireplace floor protection must be 3/8" minimum non-combustible material or equivalent, extending 16" in front of insert and 8" to both sides. A metal deflector plate must be installed if the flue collar is not completely behind the Lintel plate of the Factory-Built (Z.C.) Fireplace openings.

PREVENT HOUSE FIRES - Install and use only in accordance with the manufacturer's installation and operating instructions. Contact your local building or fire officials about restrictions and installation inspection in your area. Do not connect this unit to a chimney flue serving another appliance.

Electrical Rating: 115V., 60 Hz, 1.8 Amps
Optional Blower: # 99000128
Do not route power cord under or in front of appliance.
Replace glass only with 5mm neoceramic or ceramic glass.



Manufactured by:
TRAVIS INDUSTRIES, INC.
12521 Harbour Reach Drive
Mukilteo, WA 98275
www.travisproducts.com

U.S. ENVIRONMENTAL PROTECTION AGENCY
Certified to comply with 2015 particulate emission standards. Not approved for sale after May 15, 2020. 1.9 g/h, Method 28, 5H, 2015

Made in U.S.A. DATE OF MANUFACTURE

2015	2016	2017	2018	Jan	Feb	Mar	Apr	May	Jun	Jul	Aug	Sep	Oct	Nov	Dec
■	■	■	■	■	■	■	■	■	■	■	■	■	■	■	■

0937

Air Control	19	Smoke Enters Room (Troubleshooting)	24
Air Tube Part Number	30	Sounds (Normal Operating Sounds)	22
Air Tube Removal & Replacement	31	Starting a Fire.....	17
Ash Disposal	26	Stove Does Not Burn Long Enough	24
Baffle Parts	30	Stove is Not Hot Enough (Troubleshooting)	24
Baffle Removal and Replacement		Table of Contents	3
Blower Cleaning	28	Touch-Up Paint	28
Blower Does Not Run (Troubleshooting)	24	Troubleshooting (Operation)	24
Blower Operation (optional)	21	Warranty Card	2
Burn Rate	19	Warranty.....	32
Chimney Cleaning	27	Wood.....	23
Chimney Inspection (Creosote)	27	Yearly Maintenance.....	28
Chimney Requirements	11		
Cleaning the Ash	26		
Cleaning the Glass	26		
Clearances	9		
Creosote Check	27		
Daily Maintenance	26		
Dimensions	6		
Door and Glass Inspection	27		
Door Assembly	29		
Door Gasket Replacement	29		
Door Handle Replacement	29		
Door Opening	15		
Door Parts	29		
Draft Performance	11		
Elbows (Chimney)	6		
Emissions	6		
EPA Approval	6		
Features	6		
Fire Starting.....	17		
Firebox Assembly.....	30		
Firebox Parts.....	30		
Firebrick and Baffle Inspection	28		
Firebrick Removal & Replacement			
Floor Protection Requirements (Hearth).....	9		
Glass Cleaning	26		
Glass Replacement	29		
Hearth Requirements	9		
Heating Specifications	6		
Hints for Burns	23		
Installation Options.....	6		
Listing Label	34		
Maintenance.....	26		
Monthly Maintenance	27		
Noise (Normal Operating Sounds)	22		
Opening the Door	15		
Operation	7		
Over-Firing the Stove	15		
Overnight Burn	22		
Paint (Touch-Up Paint).....	28		
Paint Curing	15		
Re-Loading the Stove	22		
Safety Label	34		
Safety Precautions	4		
Smell (from paint curing)	15		