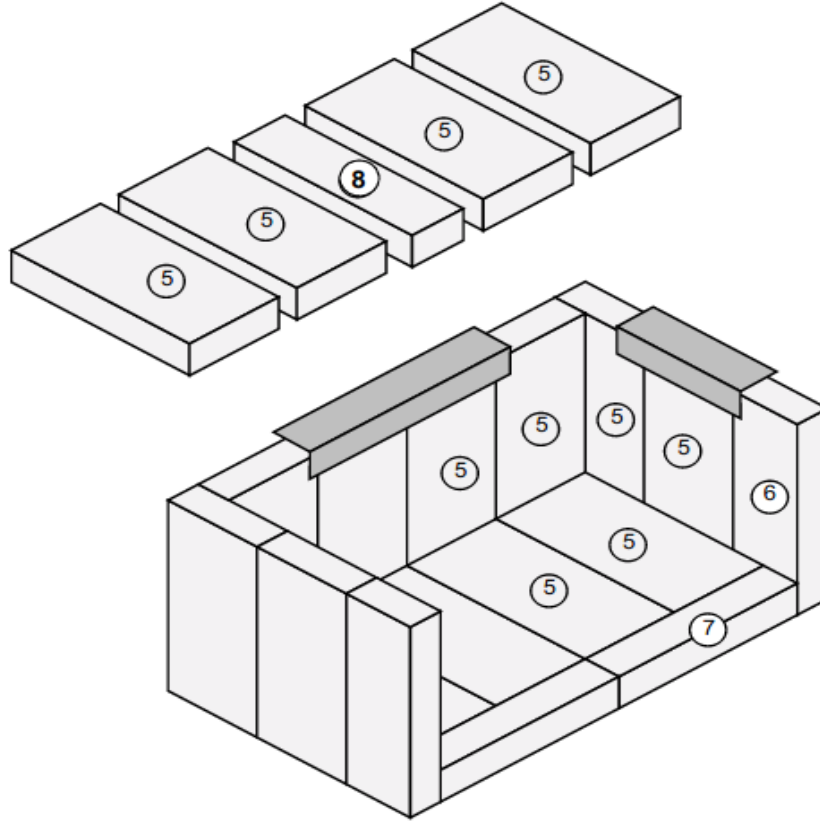




ANSWER FIREBRICK ORDER FORM



ID#	SKU	DESCRIPTION	QTY	ORDER QTY
5	251-00000	BRICK-WHOLE, 9 x 4-1/2 x 1-1/4	16	
6	251-00001	BRICK-CUT, 9 x 2-1/4	2	
7	251-00018	BRICK-CUT, 9 x 1-3/8	2	
8	251-00052	BRICK-CUT, 9 x 2-3/16	1	

STOCK	99900102	BOX OF 8, WHOLE BRICK (251-00000 x 8)	BOX OF 8	
-------	----------	---------------------------------------	----------	--

Ship To _____

Acct # _____ PO# _____

Street _____

City, ST _____

Please send
to your
Travis Sales Team

Melodie Kauf: FAX (425) 609-2792
John Beiermann: FAX (425) 315-9911
Quinn Wilks: FAX (425) 315-9913

saleswest@travis-inc.com
saleseast@travis-inc.com
salescentral@travis-inc.com