

WOOD STOVES





NORTH AMERICA'S FAVORITE FIRE



1979 - First Lopi Wood Stove

Lopi wood stoves have been North America's favorite choice in fire for over 35 years. Our reputation for solid craftsmanship, reliable performance, low emissions and unbeatable heating efficiency has been a winning combination year after year, and the favorite fire of families across the nation.

Lopi heating appliances are designed and hand-assembled at our state-of-the-art factory in Mukilteo, Washington. Each stove comes with our seven year warranty. After all, we have the experience and confidence to stand behind every single product we make, so we put it in writing.*

We've learned and grown with every unit we've built over the years, but what hasn't changed is the beauty of our stoves, performance you can trust, and our commitment to your satisfaction.

Whether you are new to the family of Lopi heating appliances or already a part of our family, we invite you take a look at our line of wood stoves. We know you'll find your favorite fire.

** Five year warranty on Cape Cod and Republic Stoves*

INDEX

A. HIGH PERFORMANCE WOOD STOVES: Pages 4-18

Lopi's best-selling High Performance wood stoves have been the #1 choice in America over the last 35 years. Their heavy gauge steel construction, high quality components and clean-burning technology has made these stoves the most reliable and trusted wood heaters for decades. These stoves feature a secondary combustion system with stainless steel air tubes that creates a highly efficient burn and produces a big, beautiful fire. They also include a high performance convection chamber that circulates the heat and distributes it throughout your home for a gentle, even warmth.

B. HYBRID-FYRE® WOOD STOVES: Pages 20-25

Hybrid-Fyre is the latest in wood innovation from Lopi. This breakthrough technology is the cleanest burning wood technology in the world, highlighting the strengths of catalytic and non-catalytic technologies to create an advanced combustion system that in whole is greater than each of its parts. It allows you to conserve fuel by burning less wood for longer periods of time. Experience the most sophisticated, efficient and cleanest burning wood technology in the industry with a Lopi Hybrid-Fyre stove.



Lopi is not so much a brand name as it is a tradition of craftsmanship in the construction of our wood stoves and of pride to the families who own them. We invite you to share this proud tradition.

KURT W. F. RUMENS
President, Travis Industries

WHY BUY A LOPI WOOD STOVE?

ENERGY INDEPENDENCE

The expense of heating your home with oil, gas or electricity keeps going up. Lopi's freestanding wood stoves give off both radiant and convective heat that comfortably warms every room in your home for a fraction of what you'd pay for standard utilities.

NO POWER? NO PROBLEM!

A Lopi wood stove will keep you warm and cozy under any circumstance. They do not require blowers to operate and are great to use during power outages. Many of our models feature cooktop surfaces so you can warm up soup and cider, or even fry bacon and eggs for breakfast!

FREE MOISTURE METER

Testing the moisture level in your wood is a crucial, yet often ignored step when burning a fire. Wet wood creates excessive smoke and moisture in the firebox, whereas dry wood allows for a hotter, more efficient burn. Lopi includes a FREE moisture meter with every wood stove (except Republic models) so you can ensure that you're burning dry wood and getting the highest performance out of your stove.







REPUBLIC™ 1250

Perfect for Cabins or Small Homes

The Republic™ 1250 is the perfect choice if you're looking for an economy-priced stove that is built to last and produces great heat. This stove is ideal for zone heating in mobile homes, cabins and small to mid-sized living areas. With the Republic™ 1250 you get no frills added - just beautiful, efficient heat. This stove comes standard with the black door and black sculptured legs, and features a large cook-top surface. Alcove and Mobile Home approved.

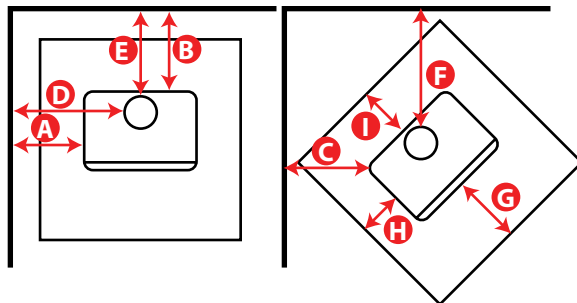
Options (See Page 18)

- 160 CFM Convection Fan
- Outside Air Kit
- Moisture Meter

Specifications

Emissions:	4.4 Grams Per Hour
Heating Capacity:	600 to 1,200 Square Feet
Heat Output:	Cord Wood - 66,800 BTUs Per Hour
Maximum Burn Time:	Up to 8 Hours
Firebox Size:	1.6 Cubic Feet
Maximum Log Size:	18"
Weight:	270 Pounds
Construction:	1/4" to 3/16" Steel Plate
Efficiency (DEQ):	Up to 79.6%

Clearances & Hearth Protection



	Single Wall Connector	Double Wall Connector
A	18"	18"
B	18"	10-1/2"
C	10"	10"
D	27"	26-1/2"
E	19-1/4"	11-1/4"
F	17-3/4"	17-1/4"
	USA	Canada
G	16"	18"
H	6"	8"
I	6"	8"



REPUBLIC™ 1750

Great for Heating Medium to Large Sized Homes

As the larger counterpart of the Republic™ 1250, the Republic™ 1750 is also a value priced stove that produces great heat. This stove is perfect for heating medium to large sized homes and zone heating larger living spaces. With the Republic™ 1750 you get no frills added – just beautiful, efficient heat. This stove includes the black door and black sculptured steel legs, and also features a large cook-top surface. Alcove and Mobile Home approved.

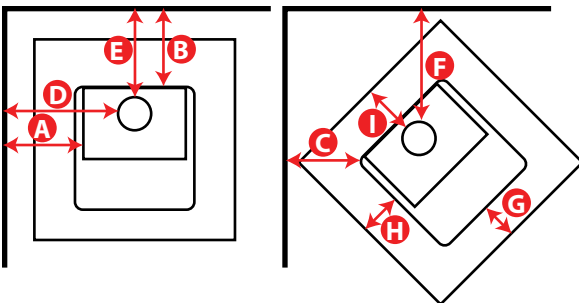
Options (See Page 18)

- 160 CFM Convection Fan
- Outside Air Kit
- Moisture Meter

Specifications

Emissions:	1.9 Grams Per Hour
Heating Capacity:	1,200 to 2,000 Square Feet
Heat Output:	Cord Wood - 72,400 BTUs Per Hour
Maximum Burn Time:	Up to 10 Hours
Firebox Size:	2.2 Cubic Feet
Maximum Log Size:	18"
Weight:	430 Pounds
Construction:	5/16" to 3/16" Steel Plate
Efficiency (DEQ):	Up to 78.8%

Clearances & Hearth Protection



	Single Wall Connector	Double Wall Connector
A	15"	13"
B	15"	4-1/4"
C	15"	6-1/2"
D	24"	21-1/2"
E	17-3/4"	6-1/2"
F	24"	15"
	USA	Canada
G	16"	18"
H	6"	8"
I	6"	8"





*Shown with Steel Sculptured
Legs, Black Painted Door and
Door Handle*



ANSWER™

Small Stove with Heavy-Duty Construction

The Answer™ is a beautiful small stove built with heavy-duty, high quality construction. This stove uses a five-sided convection chamber to distribute heat evenly throughout your home. Cool room air is naturally drawn around the hot firebox, heated, and returned back into room without using a convection fan. The Answer's™ 1.6 cubic foot firebox is large enough to hold an 18" log, offering longer burn times with less reloading. Alcove and Mobile Home approved.

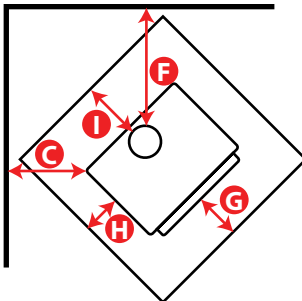
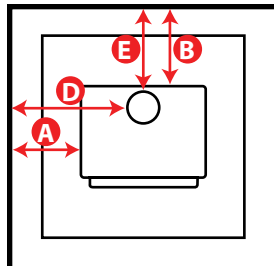
Options (See Page 18)

- Choice of Legs or Pedestal
- 160 CFM Convection Fan
- Outside Air Kit
- Choice of Black, Pewter or Brass Door
- Elk Etched Glass
- **GREEN START™** Igniter

Specifications

Emissions:	4.4 Grams Per Hour
Heating Capacity:	750 to 1,400 Square Feet
Heat Output:	Cord Wood - 66,800 BTUs Per Hour
Maximum Burn Time:	Up to 8 Hours
Firebox Size:	1.6 Cubic Feet
Maximum Log Size:	18"
Weight:	300 Pounds with Legs
Construction:	5/16" to 3/16" Steel Plate
Efficiency (DEQ):	Up to 79.6%

Clearances & Hearth Protection



	Single Wall Connector	Double Wall Connector
A	18"	13"
B	16-1/2"	9"
C	10"	7-1/2"
D	27"	21-1/2"
E	19-1/2"	11-1/2"
F	19-1/2"	16-1/2"
	USA	CANADA
G	16"	18"
H	6"	8"
I	6"	8"



EVERGREEN™

Premium Steel Wood Stove

The mid-sized Evergreen™ Wood Stove hits the mark on performance, function and design. This sleek stove features gentle curved lines and complements any home's décor while artfully presenting heavy gauge steel, unibody construction and a cast iron door with a large, self-cleaning ceramic glass viewing area.

The Evergreen's standard bypass damper gives you full control over the flow of smoke inside this stove, eliminating smoky startups and reloads. And you can manage the burn rate, from a mellow overnight burn to a large rolling fire effortlessly by a single air control.

The Evergreen™ is available in your choice of a Leg or Pedestal Model. Both models come standard with a large capacity ash pan that allows for quick and easy ash removal simply by sweeping ash from inside the stove down into the pan. An optional 400 CFM fan is also available with both models, which will quickly and quietly distribute the Evergreen's radiant heat throughout your home.

Options (See Page 18)

- Choice of Leg or Pedestal model
- Outside Air Kit
- 400 CFM Convection Fan
- **GREEN START** Igniter

Specifications

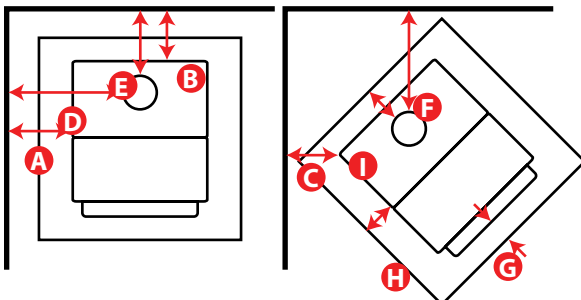
Emissions:	1.52 Grams Per Hour (CORDWOOD)
Heating Capacity:	1,200 to 2,000 Square Feet
Heat Output:	75,500 BTUs Per Hour (CORDWOOD)
Maximum Burn Time:	Up to 10 Hours
Firebox Size:	2.2 Cubic Feet
Maximum Log Size:	20-1/2"
Weight:	455 lbs w/Legs, 471 lbs w/Pedestal
Construction:	1/4" to 3/16" Steel Plate
Efficiency:	HHV Overall Heating Efficiency of 77.1%
Bypass Damper:	Yes

**The B415 efficiency test was performed on all fire burn categories - low through high, and averaged over 77% using the EPA test protocol of hhv for fuel.*



Pedestal Model

Clearances & Hearth Protection



	Single Wall Connector	Double Wall Connector
A	19"	10-1/2"
B	17"	9"
C	8"	4"
D	22-1/2"	21"
E	8"	4"
F	17-1/2"	13-1/2"
	USA	Canada
G	16"	18"
H	6"	8"
I	6"	8"

HIGH PERFORMANCE WOOD STOVES





*Shown with Black Door and
Sculptured Steel Legs*



Shown with Black Door and Door Handle, and Cast Legs



ENDEAVOR™

Our Best-Selling Wood Stove Since 1984

The Endeavor™ is our #1 selling wood stove because it combines form and function with an unbeatable heat transfer system. This stove is ideal for heating medium to large sized homes. It features one of the cleanest-burning fireboxes of any mid-size stove at 1.9 grams per hour. Its firebox is also deeper than most and can accommodate logs lengthwise, up to 18" for longer burn times. The Endeavor™ also offers the closest clearance of any wood stove in the industry – as close as 4 ¼" to a rear combustable surface. In addition, a bypass damper makes startups easy and prevents smoke-backs during reloading (see page 16). Alcove and Mobile Home approved.

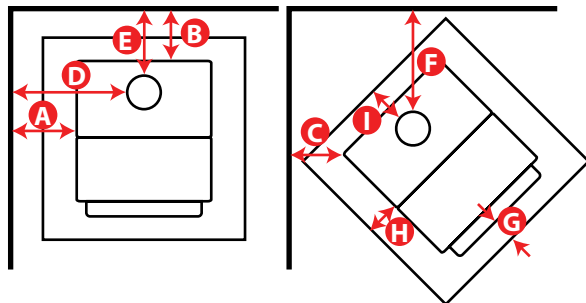
Options (See Page 18)

- Choice of Legs or Pedestal
- 160 CFM Convection Fan
- Outside Air Kit
- Choice of Black, Pewter or Brass Door
- Elk Etched Glass
- **GREEN START** Igniter

Specifications

Emissions:	1.9 Grams Per Hour
Heating Capacity:	1,200 to 2,000 Square Feet
Heat Output:	Cord Wood - 72,400 BTUs Per Hour
Maximum Burn Time:	Up to 10 Hours
Firebox Size:	2.2 Cubic Feet
Maximum Log Size:	18"
Weight:	448 Pounds with Legs
Construction:	5/16" to 3/16" Steel Plate
Efficiency (DEQ):	Up to 78.8%
Bypass Damper:	Yes

Clearances & Hearth Protection



	Single Wall Connector	Double Wall Connector
A	15"	13"
B	15"	4-1/4"
C	15"	6-1/2"
D	24"	21-1/2"
E	17-3/4"	6-1/2"
F	24"	15"
	USA	Canada
G	16"	18"
H	6"	8"
I	6"	8"

HIGH PERFORMANCE WOOD STOVES



LIBERTY™

A Big Stove That's Big on Heat

The Liberty™ is a large stove made for heating large homes and living spaces. At only 2.6 grams of emissions per hour, it is one of the cleanest burning large stoves approved by the EPA. The huge firebox and fire viewing area allow you to load wood up to 24" long and fully appreciate the splendor of the fire. It also features a single control to adjust air flow, making it easy to achieve burn times up to 12 hours. This stove uses a 6" diameter flue, compared to the more expensive 8" flue required by other large wood stoves. The Liberty's™ step-top design is enchanting yet functional, providing cooking and warming surfaces as well as radiant and convective heat. Alcove and Mobile Home approved.

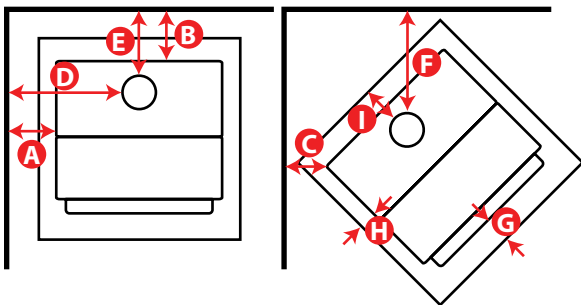
Options (See Page 18)

- Choice of Legs or Pedestal
- 160 CFM Convection Fan
- Outside Air Kit
- Choice of Black, Pewter or Brass Door
- Elk Etched Glass
- Fire Screen
- **GREEN START™** Igniter

Specifications

Emissions:	2.6 Grams Per Hour
Heating Capacity:	1,500 to 2,500 Square Feet
Heat Output:	Cord Wood - 74,300 BTUs Per Hour
Maximum Burn Time:	Up to 12 Hours
Firebox Size:	3.1 Cubic Feet
Maximum Log Size:	24"
Weight:	470 Pounds with Legs
Construction:	5/16" to 3/16" Steel Plate
Efficiency (DEQ):	Up to 76.9%
Bypass Damper:	Yes

Clearances & Hearth Protection



	Single Wall Connector	Double Wall Connector
A	16"	16"
B	15"	10"
C	9-1/2"	7-1/2"
D	28"	27-1/2"
E	18-1/4"	12-3/4"
F	21"	18-1/2"
	USA	Canada
G	16"	18"
H	6"	8"
I	6"	8"

HIGH PERFORMANCE WOOD STOVES



*Shown with Steel Sculptured
Legs, Pewter Door and
Door Handle*

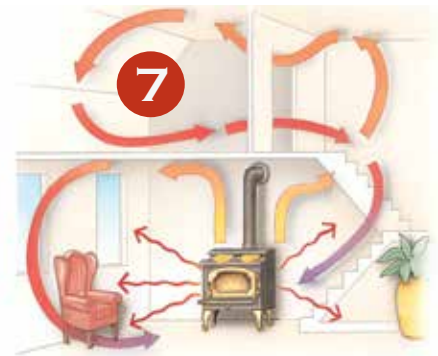
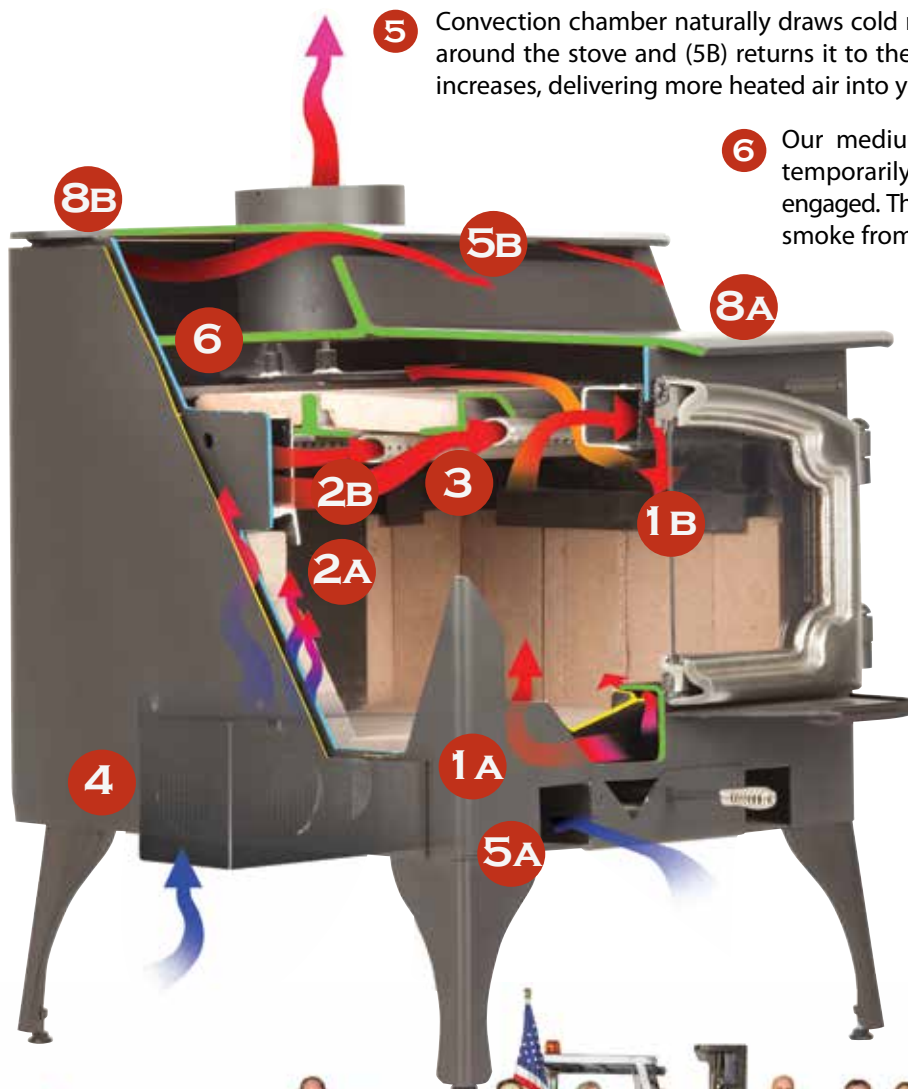


HOW LOPI WOOD STOVES WORK

- 1** Pre-heated air wash cleans the glass like a self-cleaning oven; (1A) a steady stream of fresh air enters the stove, gets hot as it is drawn up the heated internal air chamber, and (1B) then travels through a screened airwash which diffuses and evenly distributes air across the glass, keeping smoke and ash particles away.
- 2** Pre-heated secondary combustion air (2A) is delivered to the stainless steel secondary combustion tubes (2B) which increases efficiency by introducing oxygen to the firebox and promotes re-burn of most of the smoke and gases for added heat that would otherwise line your flue as creosote and exit your chimney as smoke.
- 3** The heavy-duty masonry baffle holds and radiates heat back into the firebox for more efficient and complete combustion.
- 4** An optional convection fan is available to speed up the circulation of convective heat throughout your home. A convection fan is ideal for quicker more efficient heating, or for homes with high ceilings, or a home with an open floor plan.

- 5** Convection chamber naturally draws cold room air (5A) in at the bottom of the unit, circulates it around the stove and (5B) returns it to the room heated. As the stove heats up air flow actually increases, delivering more heated air into your home.

- 6** Our medium and large units feature a bypass damper which temporarily re-routes smoke behind the masonry baffle when engaged. The bypass assists faster fire start-up as well as preventing smoke from escaping through the door when loading wood.



- 7** Lopi stoves feature a large capacity convection chamber which enhances the heat transfer by gently circulating heated air to adjoining rooms, while still offering radiant heat that warms the room and the objects in it.

- 8** Our wood stoves also provide a great cooktop surface. The cooktop surface can be used to warm soup, heat up hot cocoa or for scented potpourri. Our medium and large stoves give you both a cooktop (8A) and warming (8B) surface, so not only will your stove heat your home during a power outage, you can also cook on it



DARE TO COMPARE!

WE BUILD THE FINEST WOOD STOVES ON THE PLANET.

No other wood burning stove can surpass Lopi's performance or quality. It takes the best engineers and craftsmen to make the best products, and we've got them. Your new Lopi stove features true unibody construction, using a 600 ton press to form and bend the metal, eliminating unsightly welds and increasing strength. The beautiful and durable Lopi door is held in place with a cold-rolled steel hinge punched through the firebox and welded on the inside to hold the door straight. Your stove also has a six-inch, seamless, heavy-duty steel flue collar and heavy gauge 5/16" & 3/16" steel construction. **Come to one of our stores and SEE THE DIFFERENCE!** When you buy a Lopi, you're buying the finest. We guarantee it!



The optional solid brass door for the Answer, Revere, Endeavour, Liberty, and Freedom will last for life (unlike the micro-thin gold plating common of many other stove brands).

Pewter doors are also available on most stoves.



Our air control is easier to fine tune to your heating needs by regulating both primary and secondary air to the stove with one simple to use handle.



Cast iron frame glass retainer insures a permanent air-tight seal around the glass. The cast iron frame fits an inch deep inside the door, so the door will never warp or flex. The frame also protects the glass gaskets from direct contact with the fire. Not available on Republic or Evergreen models.

Lopi uses real kiln-fired, refractory firebrick in the firebox and baffle. This is the same material used to line commercial boilers and furnaces and is twice the weight of typical brick. The brick protects the steel while increasing the internal temperature within the firebox. Come feel the difference!



7-YEAR "REAL WORLD" WARRANTY

(5 Years on the Cape Cod, Republic 1250 & Republic 1750 stoves)

Our 7-Year Warranty offers more protection on key components than the so-called "Limited Lifetime" warranties of our competitors.

YEARS 1-2: All parts and labor on your wood burning appliance, including blower and one-way freight allowance.

YEARS 3-5: All parts and labor on the firebox, door assembly, air controls assemblies and one-way freight allowance.

YEARS 6-7: Parts only on firebox, door and air control assemblies

Lopi builds stoves to last a lifetime. We'll stand behind the quality and performance of our products year after year because that's the way we do business –and you don't have to read the fine print for your peace of mind.





ANSWER, ENDEAVOR, & LIBERTY STOVE OPTIONS & ACCESSORIES



DOORS

Choose from three door finishes to blend or accent your stove and room decor.
Solid Brass, Black Painted, Pewter Plated

FOUR DECORATIVE LEG CHOICES

Blend or contrast with your stove depending on the style and finish you select.



Sculptured
Black Steel



Cast
Black



PEDESTALS

Pedestals allow for a clean installation of outside combustion through the back or bottom of the pedestal.

CONVECTION FANS

high on power but low on noise. They help circulate heat by moving up to 400 cubic feet of air per minute.



160 CFM Stove Fan
Installs in back of unit.



400 CFM Stove Fan
Installs in back of unit.
Evergreen Only



CUSTOM PAINT

Lopi stoves can be painted in a variety of colors to fit any décor (ask your dealer for custom color choices.)

GREEN START™

PUSH BUTTON START UP, THE GREATEST WOOD STOVE OPTION EVER!

Starting your wood stove has never been easier. Much like Charles Kettering's invention of the electric automobile ignition 100 years ago, the GreenStart igniter system has evolved the ignition of fire in a spectacular way and has become the greatest innovation in wood heating in over 100 years.



Simply load your wood into the firebox and push the GreenStart™ button to begin!



A compressor will force 1,400 degree preheated air into the firebox directly onto the wood, giving a clean, fast, smoke-free start up within 30 seconds.



The igniter will then turn off and a blower will continue to push air, acting as a bellows to fan the fire.



The blower will fan the fire at various speeds to deliver proper draft and greatly accelerate the startup time.



After 15 minutes the blower will shut off and you will have a beautiful, roaring fire. The fire can be maintained over time by adjusting the bypass damper and air control.

WHAT MODELS CAN I USE THE GREENSTART IGNITER WITH?

The GreenStart igniter can be added to the Lopi Answer, Evergreen, Endeavor, Rockport, Cape Cod, and Liberty stoves.



ROCKPORT™ HYBRID-FYRE®

Cast Iron Beauty, Built to Last!

The Rockport™ by Lopi® combines beautiful European castings with optimum performance and solid construction to bring you the perfect mid-sized wood stove. Premium materials like iron, steel, real masonry brick and crystal clear ceramic glass are brought together in a fusion of classic elegance and durability designed to heat your home and family for years to come, even when the power goes out. The Rockport features Hybrid-Fyre® technology, making it one of the most efficient and cleanest burning wood stoves in the world!

Options

- New Iron or Oxford Brown Enamel Finish
- 400 CFM Convection Fan
- **GREEN START™** Igniter

Specifications

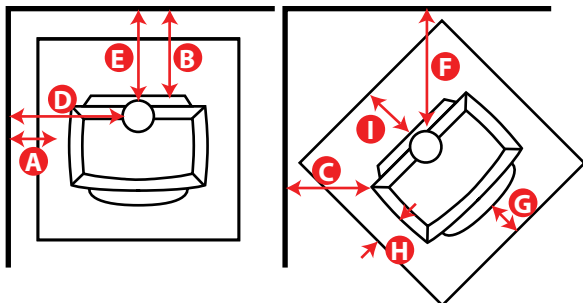
Emissions:	1.7 Grams Per Hour (CORDWOOD)
Heating Capacity:	Up to 2,000 Square Feet
Maximum Burn Time:	Up to 10 Hours
Heat Output:	73,300 BTUs Per Hour (CORDWOOD)
Firebox Size:	2.15 Cubic Feet
Maximum Log Size:	20"
Weight:	450 Pounds
Construction:	Cast Iron
Efficiency:	HHV Overall Heating Efficiency of 76.3%
Bypass Damper:	Yes

*The B415 efficiency test was performed on all fire burn categories - low through high, and averaged over 76% using the EPA test protocol of hhv for fuel.



Oxford Brown
Enamel Model

Clearances & Hearth Protection



	Single Wall Connector	Double Wall Connector
A	16"	16"
B	16"	10-1/2"
C	9"	9"
D	27-1/8"	26-1/2"
E	18-1/4"	12-1/4"
F	19-1/4"	18-3/4"
	USA	Canada
G	16"	18"
H	6"	8"
I	6"	8"

HYBRID-FYRE® WOOD STOVE



*The cast iron Rockport
pictured in beautiful
New Iron Paint finish*



*The cast iron Cape Cod
pictured in beautiful porcelain
Oxford Brown enamel*



CAPE COD™ HYBRID-FYRE®

World's Cleanest Burning Large Wood Stove !

The Cape Cod™ is Lopi's "Super Stove", shattering all performance records for wood heat! Boasting an 76.6% overall efficiency* and EPA 1.9 grams of emissions per hour in a 3 cubic foot firebox, the Cape Cod™ is one of the cleanest burning large wood stoves on the planet. This innovative game changer of a wood stove features a massive firebox and convection heat exchanger, all wrapped up and presented to you in an elegant package of cast iron beauty and durability. This stove provides both radiant and convective heat, a feature that is not offered in most cast iron stoves. It is 20% more efficient than a typical wood stove, burning less wood and producing more heat. The Cape Cod™ not only delivers, but excels in every category.

Options

- New Iron or Oxford Brown Enamel Finish
- 400 CFM Convection Fan
- GREEN START™ Igniter



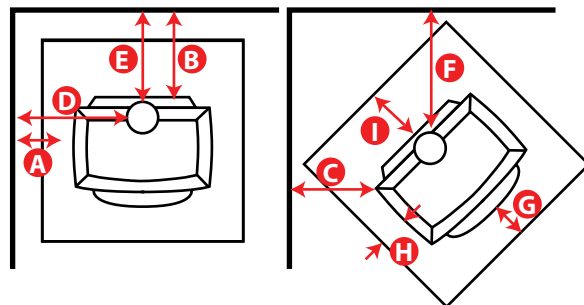
New Iron Model

Specifications

Emissions:	1.9 Grams Per Hour (CORD WOOD)
Heating Capacity:	Up to 2,500 Square Feet
Maximum Burn Time:	Up to 12 Hours
Heat Output:	86,000 BTUs Per Hour (CORDWOOD)
Firebox Size:	3.0 Cubic Feet
Maximum Log Size:	24"
Weight:	600 Pounds
Construction:	Cast Iron
Efficiency:	HHV Overall Heating Efficiency of 76.6%
Bypass Damper:	Yes

**The B415 efficiency test was performed on all fire burn categories - low through high, and averaged over 76% using the EPA test protocol of HHV for fuel.*

Clearances & Hearth Protection



	Single Wall Connector	Double Wall Connector
A	12-3/4"	12-3/4"
B	14-3/4"	11-3/4"
C	7-1/4"	7-1/4"
D	26"	26"
E	15"	12"
F	17-1/2"	17"
	USA	Canada
G	16"	18"
H	6"	8"
I	6"	8"

HYBRID-FYRE® WOOD STOVE



HYBRID[®]FYRE[®] CLEAN-BURN TECHNOLOGY THE CLEANEST & GREENEST STOVES EVER!

- A** Pre-heated combustion air helps the glass stay clean and the stove burn efficiently.
- B** A single air control regulates the burn rate of the fire, making this advanced burner system easy to operate.
- C** Secondary air tubes combined with an insulated baffle slow down the fire and re-burn the particulate.
- D** A durable, large catalytic combustor incinerates any left over particulate, burning up to 99.5% of the flue gases and all but eliminating any carbon monoxide.

HIGH HEAT TRANSFER WITH THE HIGHEST OVERALL EFFICIENCIES OF ANY WOOD STOVE

- E** Bypass damper allows for smoke free start-ups and reloads when open, and assists overnight burns when closed.
- F** Room air is drawn through the cast iron air convection chamber for maximum heat transfer and efficiency. Hot air is circulated through your room through natural convection.

All This Equals:

HYBRID[®]FYRE[®]

The cleanest burning, most efficient wood stoves ever made.

AMAZING FEATURES

- G** Easy glide large capacity ash drawer on ball bearing glides.
- H** Large fire-viewing door with stay clean ceramic glass.
- I** Outside air connection (concealed).
- J** Adjustable roller bar door handle.
- K** Close rear and side wall clearance to combustibles.
- L** 6" flue allows for less costly installation.

OVER THE TOP ACCESSORIES

- M** A super quiet, massive, optional 400 CFM fan will boost heat circulation throughout your home.
- N** Add the optional GreenStart Automated Wood Igniter to start your fire with a push of a button. (pg. 19)

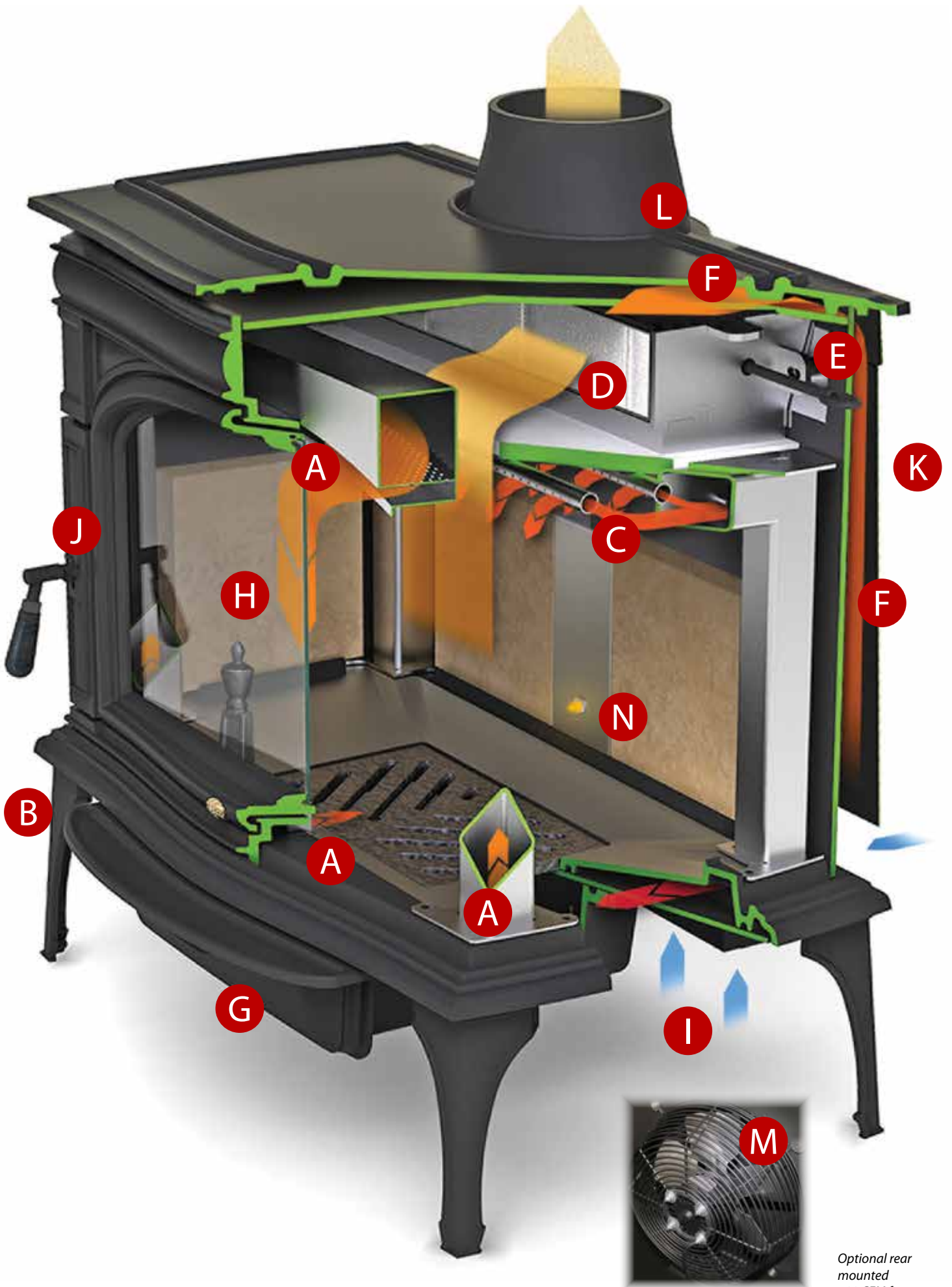


*Popular Mechanics[®] Wood Stove
Challenge Finalist and Winner of
the Peoples Choice Award*



*Winner of the prestigious
Vesta Awards for
Best New Wood Stove,
Best of Show and
Prestigious EPA
Sponsored Green Award!*

**HYBRID-FYRE[®] IS BROUGHT TO YOU BY LOPI[®], NORTH AMERICA'S
FAVORITE FIRE FOR OVER THREE DECADES!**



Optional rear mounted 400 CFM fan



LOPI WOOD STOVES

For installation specifications refer to the Owner's Manual found on the Lopi® websites www.lopistoves.com



REPUBLIC 1250



REPUBLIC 1750



ANSWER



EVERGREEN

	SMALL		MEDIUM		SMALL		MEDIUM	
SPECIFICATIONS								
Width	23-5/8"		24"		23-5/8"		28"	
Height (All Legs)	26-1/2"		26-1/2"		27-7/8"		31"	
Height (Pedestal)	NA		NA		31-7/8"		33-1/2"	
Depth	14-5/8"		23-1/2"		16-1/4"		20-1/4"	
Flue Size	6"		6"		6"		6"	
Construction	1/4" to 3/16" Steel		5/16" to 3/16" Steel		5/16" to 3/16" Steel		1/4" to 3/16" Steel	
Weight (body w/legs)	270 lbs.		430 lbs.		300 lbs.		355 lbs.	
PERFORMANCE								
Emissions	4.4 Grams/Hr.		1.9 Grams/Hr.		4.4 Grams/Hr.		1.5 Grams/Hr.	
Heating Capacity (Sq Ft.)	600 to 1,200		1,200 to 2,000		750 to 1,400		Up to 2,000	
Heat Output	66,800 BTU's/Hr.		72,400 BTU's/Hr.		66,800 BTU's/Hr.		73,500 BTU's/Hr.	
Efficiency	Up To 79.6%		Up To 78.8%		Up To 79.6%		OHE 77.1%	
Maximum Burn Time	Up To 8 Hours		Up To 10 Hours		Up To 8 Hours		Up To 10 Hours	
Firebox Size	1.6 Cubic Ft.		2.2 Cubic Ft.		1.6 Cubic Ft.		2.2 Cubic Ft.	
Maximum Log Size	Up To 18"		Up To 18"		Up To 18"		Up To 20-1/2"	
CLEARANCES								
	Single Wall Connector	Double Wall Connector	Single Wall Connector	Double Wall Connector	Single Wall Connector	Double Wall Connector	Single Wall Connector	Double Wall Connector
A = Stove to Side Wall	18"	18"	15"	13"	18"	13"	12"	11"
B = Stove to Back Wall	18"	10- 1/2"	15"	4-1/4"	16-1/2"	9"	17"	9"
C = Stove to Corner Wall	10"	10"	15"	6-1/2"	10"	7-1/2"	8"	4"
D = Connector to Side Wall	27"	26-1/2"	24"	21-1/2"	27"	21-1/2"	22-1/2"	21"
E = Connector to Back Wall	19-1/4"	11-1/4"	17-3/4"	6-1/2"	19-1/2"	11-1/2"	19"	10-1/2"
F = Connector to Corner Wall	17-3/4"	17-1/4"	24"	15"	19-1/2"	16-1/2"	17-1/2"	13-1/2"
HEARTH PROTECTION								
	USA	CANADA	USA	CANADA	USA	CANADA	USA	CANADA
G = Front	16"	18"	16"	18"	16"	18"	16"	18"
H = Sides	6"	8"	6"	8"	6"	8"	6"	8"
I = Back	6"	8"	6"	8"	6"	8"	6"	8"
ALCOVE								
	Combustible	Non Combustible	Combustible	Non Combustible	Combustible	Non Combustible	Combustible	Non Combustible
J = Minimum Width	59-5/8"	39-5/8"	54"	36"	49-5/8"	35-5/8"	50"	50"
K = Maximum Depth	48"	48"	48"	48"	48"	48"	48"	48"
L = Minimum Height	84"	36-5/8"	84"	36-5/8"	84"	37-7/8"	84"	6" above top

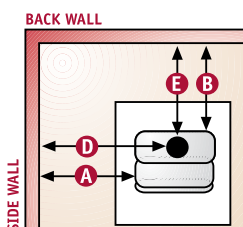
CLEARANCES TO UNPROTECTED COMBUSTIBLES

Use these illustrations in conjunction with the information under the "Clearance" & "Alcove" headings above.

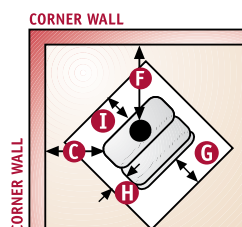
*Heating Capacity may vary depending on degree of home insulation, floor plan and ambient temperature zone of the area in which you live.

INSTALLATIONS

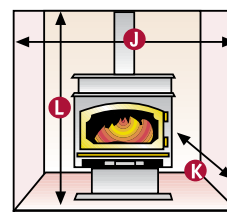
STRAIGHT WALL



CORNER WALL



ALCOVE



For installation specifications refer to the Owner's Manual found on the Lopi® websites www.lopistoves.com



ENDEAVOR



LIBERTY



ROCKPORT



CAPE COD

	MEDIUM		LARGE		MEDIUM		LARGE	
SPECIFICATIONS								
Width	24"		30"		28-1/4"		32-1/4"	
Height (All Legs)	30-5/8"		32-1/4"		31-1/2"		35"	
Height (Pedestal)	34-5/8"		36-1/4"		N/A		N/A	
Depth	23-1/2"		21"		19-3/4"		19-3/4" (21-3/4" w/heat shield)	
Flue Size	6"		6"		6"		6"	
Construction	5/16" to 3/16" Steel		5/16" to 3/16" Steel		5/16" to 3/16" Steel		6"	
Weight (body w/legs)	448 lbs.		470 lbs.		Cast Iron - 450 lbs.		Cast Iron - 600 lbs.	
PERFORMANCE								
Emissions	1.9 Grams/Hr.		2.6 Grams/Hr.		1.7 Grams/Hr.		1.9 Grams/Hr.	
Heating Capacity (Sq Ft.)	1,200 to 2,000		1,500 to 2,500		Up to 2,000		Up to 2,500	
Heat Output	72,400 BTU's/Hr.		74,300 BTU's/Hr.		73,300 BTU's/Hr.		86,000 BTU's/Hr.	
Efficiency	Up To 78.8%		Up To 76.9%		OHE 76.3%		OHE 76.6%	
Maximum Burn Time	Up To 10 Hours		Up To 12 Hours		Up To 10 Hours		Up To 12 Hours	
Firebox Size	2.2 Cubic Ft.		3.1 Cubic Ft.		2.15 Cubic Ft.		3.0 Cubic Ft.	
Maximum Log Size	Up To 18"		Up To 24"		Up To 20"		Up To 24"	
CLEARANCES								
	Single Wall Connector	Double Wall Connector	Single Wall Connector	Double Wall Connector	Single Wall Connector	Double Wall Connector	Single Wall Connector	Double Wall Connector
A = Stove to Side Wall	15"	13"	16"	16"	16"	16"	12-3/4"	12-3/4"
B = Stove to Back Wall	15"	4-1/4"	15"	10"	16"	10.5"	14-3/4"	11-3/4"
C = Stove to Corner Wall	15"	6-1/2"	9-1/2"	7-1/2"	9"	9"	7-1/4"	7-1/4"
D = Connector to Side Wall	24"	21-1/2"	28"	27-1/2"	27-1/8"	26-1/2"	26"	26"
E = Connector to Back Wall	17-3/4"	6-1/2"	18-1/4"	12-3/4"	18-1/4"	12-1/4"	15"	12"
F = Connector to Corner Wall	24"	15"	21	18-1/2"	19-1/4"	18-3/4"	17-1/2"	17"
HEARTH PROTECTION								
	USA	CANADA	USA	CANADA	USA	CANADA	USA	CANADA
G = Front	16"	18"	16"	18"	16"	18"	16"	18"
H = Sides	6"	8"	6"	8"	6"	8"	6"	8"
I = Back	6"	8"	6"	8"	6"	8"	6"	8"
ALCOVE								
	Combustible	Non Combustible	Combustible	Non Combustible	Combustible	Non Combustible	Combustible	Non Combustible
J = Minimum Width	54"	36"	62"	42"	60-1/4"	40-1/4"	59"	50"
K = Maximum Depth	48"	48"	48"	48"	48"	48"	48"	48"
L = Minimum Height	84"	40-5/8"	84"	42-1/4"	84"	37-1/2"	84"	41"

OVERALL HEATING EFFICIENCY (OHE) AVERAGE FOR THE EVERGREEN™, ROCKPORT™ AND CAPE COD™ WERE ACHIEVED USING EPA CORD WOOD METHOD ASTM E3053-17 AND CSA B415.1-10

TRAVIS WOOD BURNING FIREPLACES, STOVES AND INSERTS ARE PROTECTED BY ONE OR MORE OF THE FOLLOWING PATENTS; U.S. 9,170,025, 4,665,889 AS WELL AS OTHER U.S. AND FOREIGN PATENTS PENDING.

Only the most professional specialty hearth retailers are selected to sell Lopi® stoves, inserts and fireplaces. They represent our total commitment to exceptional products and excellent service. In addition, they have successfully completed special training programs in the proper selection, installation, and service of all Lopi® products.

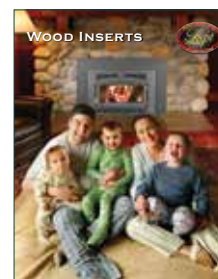
Your professional Lopi hearth dealers are experts who can advise you on everything from customizing the color of your appliance to selecting appropriate venting and chimney materials. They can show you Lopi® models on display, including working models actually burning.



KEEP THEM WARM, KEEP THEM SAFE



Children, like most of us are fascinated by fire and for families with young children, fireplaces pose a potential safety hazard. Take the time to educate young children about the dangers of fire and the hot surface temperatures of glass and metal surrounding the wood burning appliance. If you have an infant or toddler consider installing a firescreen; make sure it's tall enough so that children can't climb over it, and that it's placed far enough away so that reaching arms can't touch the surfaces of the fireplace. A few precautions such as these will allow everyone in your home to safely enjoy the comfort and warmth of your new stove.



Lopi® produces a wide variety of quality wood, pellet, and gas hearth appliances.

Find your favorite fire today by visiting: www.lopistoves.com

YOUR LOPI AUTHORIZED DEALER:



www.lopistoves.com
Manufactured in
Mukilteo, WA



©10/2018 Printed in U.S.A. - #98800729
Lopi reserves the right to alter or improve its products at any time without notification. All trademarks belong to Travis Industries. For installation specifications refer to the Owner's Manual found on the Lopi website.