

Compatibility

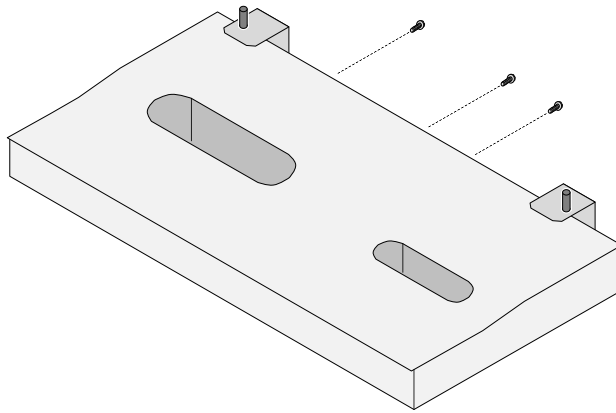
- DVS GSR NB Insert

Packing List

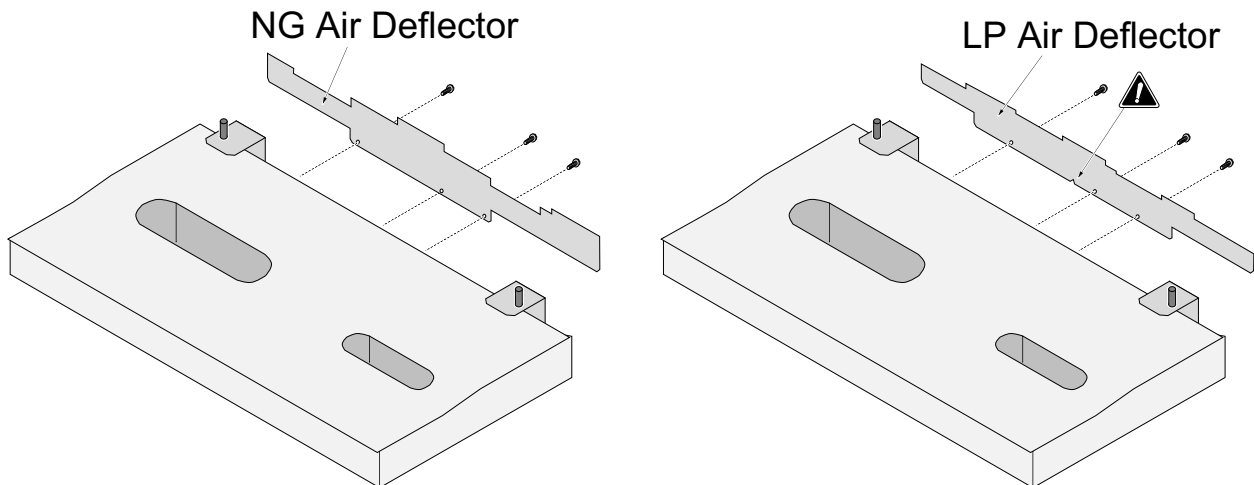
- DVS Ember-Fyre Burner Assembly
- NG and LP Air Deflectors
- Left and Right Ember Trays
- 8-Piece Log Set
- Bag of Rock Wool
- Bag of Log Embers

Preparing the Burner

1. Remove the 3 screws on the back of the burner.

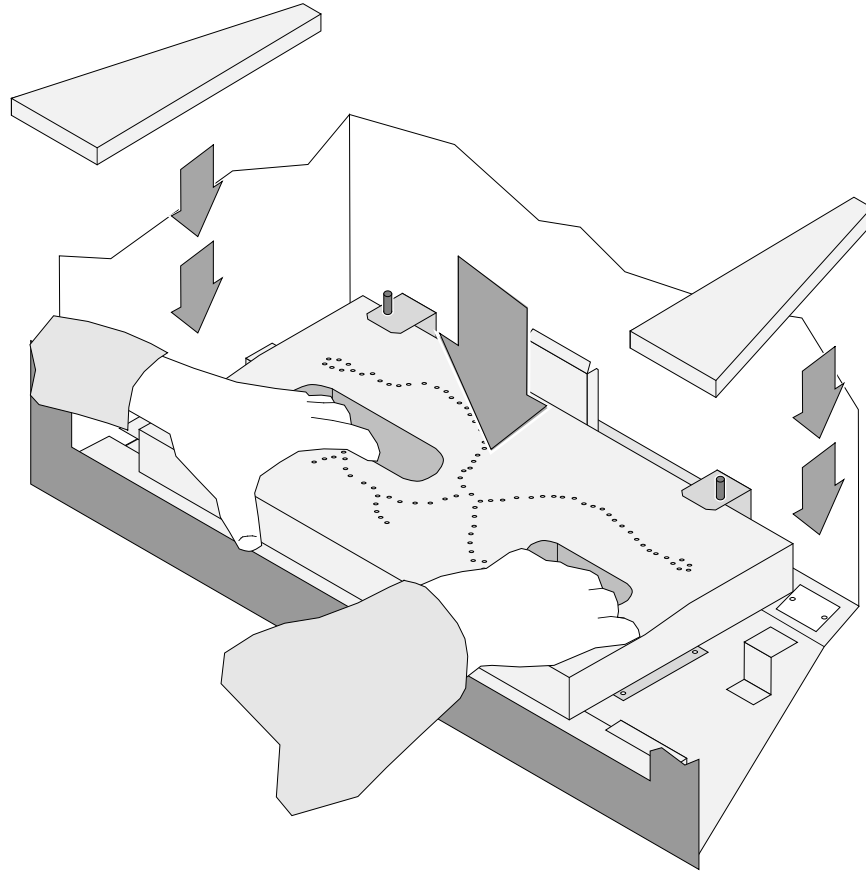


2. Attach the correct air deflector to the burner with the screws removed earlier. Note how the LP air deflector has a notch along the bottom.



Burner Installation

Install the burner as shown below (make sure the burner is fully seated over the orifices and pushed all the way to the right). Install the side ember trays.

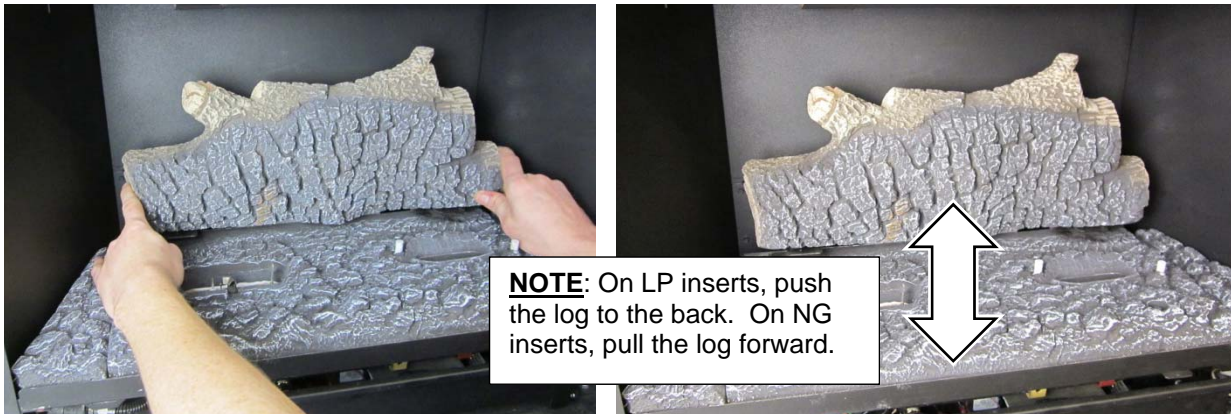


Log Set Installation

- ! **The logs are fragile, especially after being exposed to heat.**
- Make sure the gas control valve is "OFF" and the heater is cool prior to conducting service.
- Failure to position the parts in accordance with these diagrams or failure to use only parts specifically approved with this appliance may result in property damage or personal injury.
- If using propane (LP), convert the appliance before installing the burner and logs.
- The burner must be correctly positioned before installing the logs. Make sure the burner is fully seated and the pilot is properly aligned.

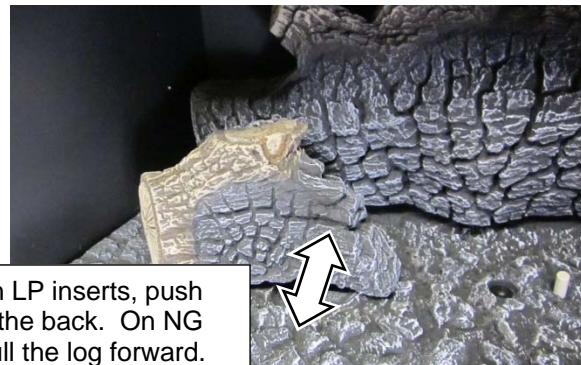
Rear Log Placement

The rear log has two holes on the bottom. Place the log so the pins on the burner insert into the holes on the log (see photos below).



Left Front Log Placement

The left front log has two holes on the bottom. Place the log so the pin on the burner and the metal bracket insert into the holes on the log (see photos below).



NOTE: On LP inserts, push the log to the back. On NG inserts, pull the log forward.

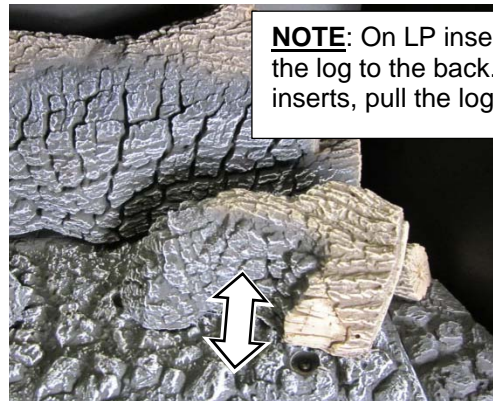
Right Twig Placement

Place the right twig on the burner as shown below. Make sure it does not cover any burner holes.



Right Front Log Placement

The right log has two holes on the bottom. Place the log so both burner pins insert into the holes on the log (see photos below). Make sure the log is pushed back so it sits flat.



Left Cross Log Placement

Place left cross log as shown below. Note- how the log rests on the flat spots of the back and left logs.



Right Cross Log Placement

Place the log as shown below. The right cross log rests on the flat spots of the rear and the right front logs.



Left Twig Placement

Place the left twig on the burner as shown below. Make sure it does not cover any burner holes.

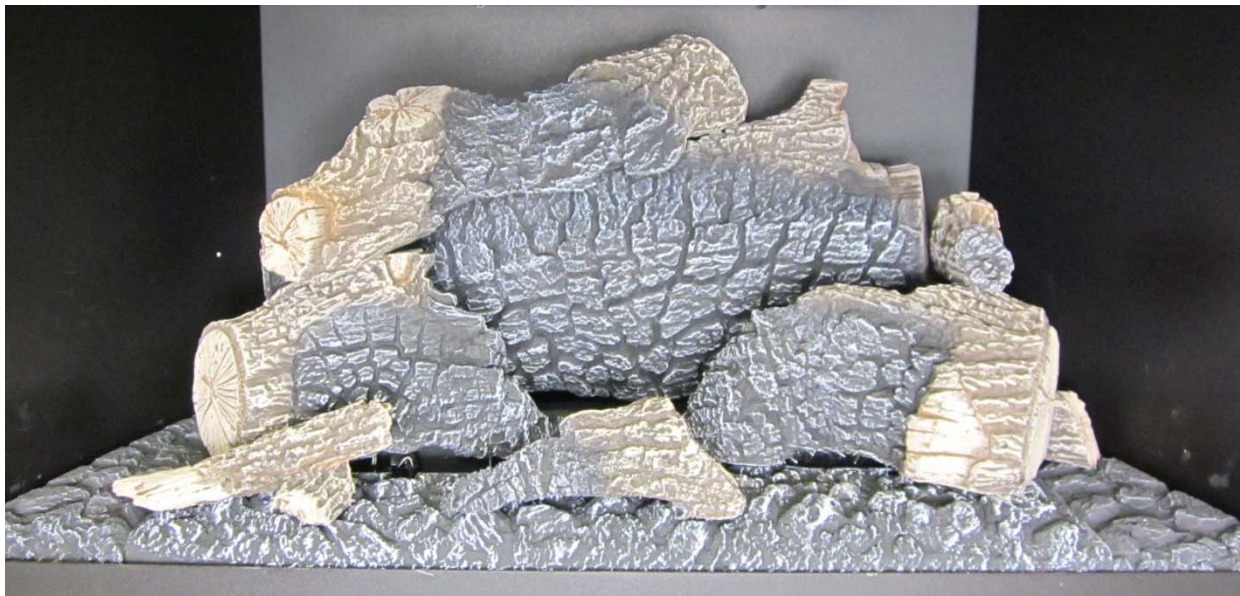


Center Twig Placement

Place the center twig on the burner as shown below. Make sure it does not cover any burner holes.



The completed installation is shown below.



Ember Placement

Place a layer of embers along any screw heads and visible edges of the burner.



Rockwool Installation

The included rock wool is placed on top of the burner to enhance the glow from the burner. **The rock wool works best when it is applied in a very thin, porous layer.** The best method for applying the rock wool is to brush it on to the burner. Compress a clump of rockwool between your thumb and forefinger. Use a stiff brush to apply a thin layer of rockwool fibers onto the burner. Do not use the entire bag of rockwool. Use only a small amount and save the remainder. Over-use of rockwool will diminish the glow and may cause sooting or other adverse conditions.

