



# DVL Face Installation – With Screen (2014)

## Compatibility:

- DVL Insert
- 33 DVI Insert  
(Profile face not compatible with 33 DVI)

## Packing List:

- Face
- Extended Convection Deflector (Arched, Profile Faces Only)
- Left and Right Cove Covers (Arched Faces Only)
- Lower Glass Cover (Profile Faces Only)
- (2) Face Brackets
- (4) 8-32 Nuts

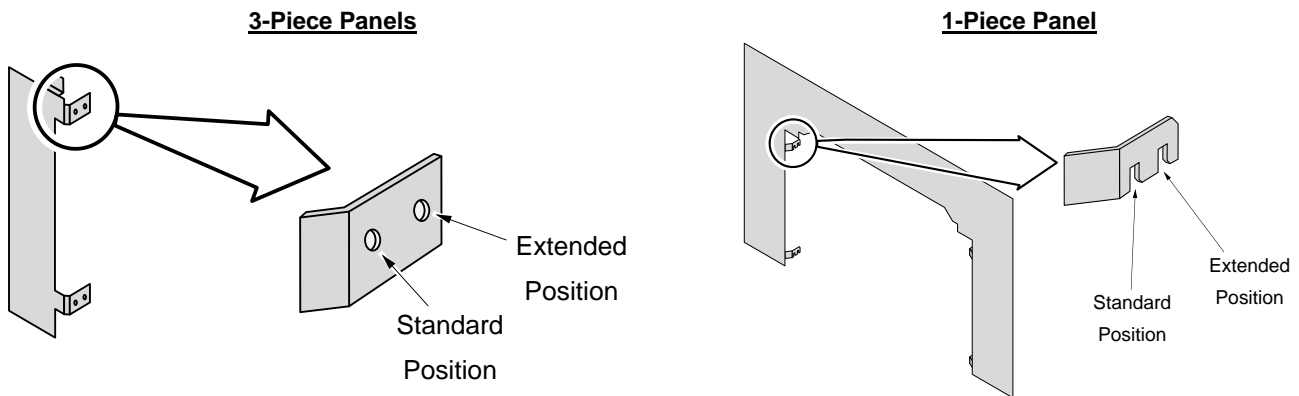
## Standard Position vs. Extended Position on Surround Panels

The new 2014 faces include a screen barrier. On rectangular faces, the screen is submerged into the return flange on the face. No additional depth is required when installing. Rectangular faces may be used with older panels.

On arched faces the screen is attached directly to the back of the face. This creates an additional 1/2" of depth. To accommodate this depth, new surround panels were released in 2014 with two positions. The standard position is the same as the earlier panels and is used on all faces except for the arched faces. The extended position locates the panel forward 1/2" to allow for the face to fit against the surround panel. This positions the insert 1/2" farther into the fireplace cavity. These faces also require use of the extended convection deflector (included with the face – see instructions below).

<b>Standard Position Faces (may use older panels)</b>	<b>Extended Position (requires new, 2014 panels)</b>
<ul style="list-style-type: none"> <li>• Wilmington</li> <li>• Rosario</li> <li>• Rectangular Black (FPX)</li> <li>• Profile</li> </ul>	<ul style="list-style-type: none"> <li>• Arched Black (FPX)</li> <li>• French Country Black (FPX)</li> <li>• Artisan (FPX)</li> </ul>

The 2014 surround panels have two sets of holes (3-piece panels) or notches (1-piece panel) - see the illustrations below. Make sure the surround panels are installed in the correct position.



## Stainless Steel / Copper – Care and Cleaning

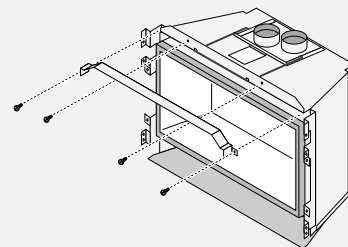
Use glass cleaner on a soft cloth to remove any marks left on the surface.

## Hand-Rubbed Patina Finishes

The optional patina finish is hand applied by a skilled artisan to permanently alter the metal colors and texture of the face. Each face is individually hand-polished and fired in an oven which imparts unique color subtleties with no two finishes alike. The patina finish on your face is a "living" color and will age and antique over time. Enjoy the timeless, rich luster of your beautiful new face.

## **Arch/Profile Faces Require the Extended Convection Deflector**

The faces above include an extended convection deflector to direct the convection air through the surround panel. Discard the convection deflector included with the insert and install the extended version as shown to the right (screws are included in the insert owner's pack). Before installing, the extended deflector may need to be bent to mount correctly (use pliers if necessary).



**PROFILE FACES** have a Rectangular deflector (it installs in the same fashion).

# DVL Face Installation – With Screen (2014)

## Installation



**WARNING:** Turn off gas to the appliance and make sure it is fully cool prior to service.



**HINT:** The insert should be in place with the gas line, vent, and electrical line attached. You may pull the insert out slightly for better access.

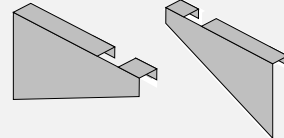
- 1 Install the surround panels.

### Arched Faces Only

#### COVE COVERS - Used with Arched Faces

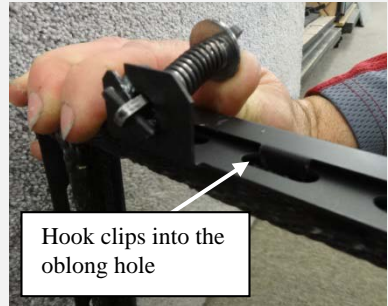
(included with the insert)

The cove covers are used on arched faces to prevent light from exiting the grill. The are included with the insert. Place them over the glass frame prior to installing the face.



### Profile Faces Only

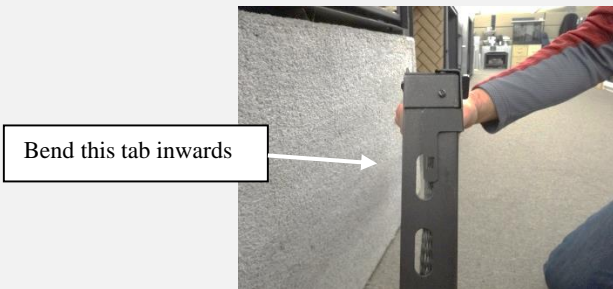
1. Remove the glass frame from the unit.
2. Hold the spring loaded latches up while pushing the glass cover over the long edge of the glass frame. Hook the two tabs on the long edge of the glass cover into the oblong holes on the glass frame.



Lift up latch and push cover into place.

Hook clips into the oblong hole

3. Push the lower glass cover into place. The front edge of the glass cover will be tight to the front of the glass frame.
4. Bend both side tabs inwards. The tab will bend over the glass frame and hold the cover in place.



Bend this tab inwards

**Note:** Make sure to bend the tab all the way flat against the inside of the glass frame. This keeps it from contacting the front of the insert when the glass frame is installed.



Bend tab flat

5. Install the glass frame onto the insert (make sure the cover is on the lower edge of the glass frame).

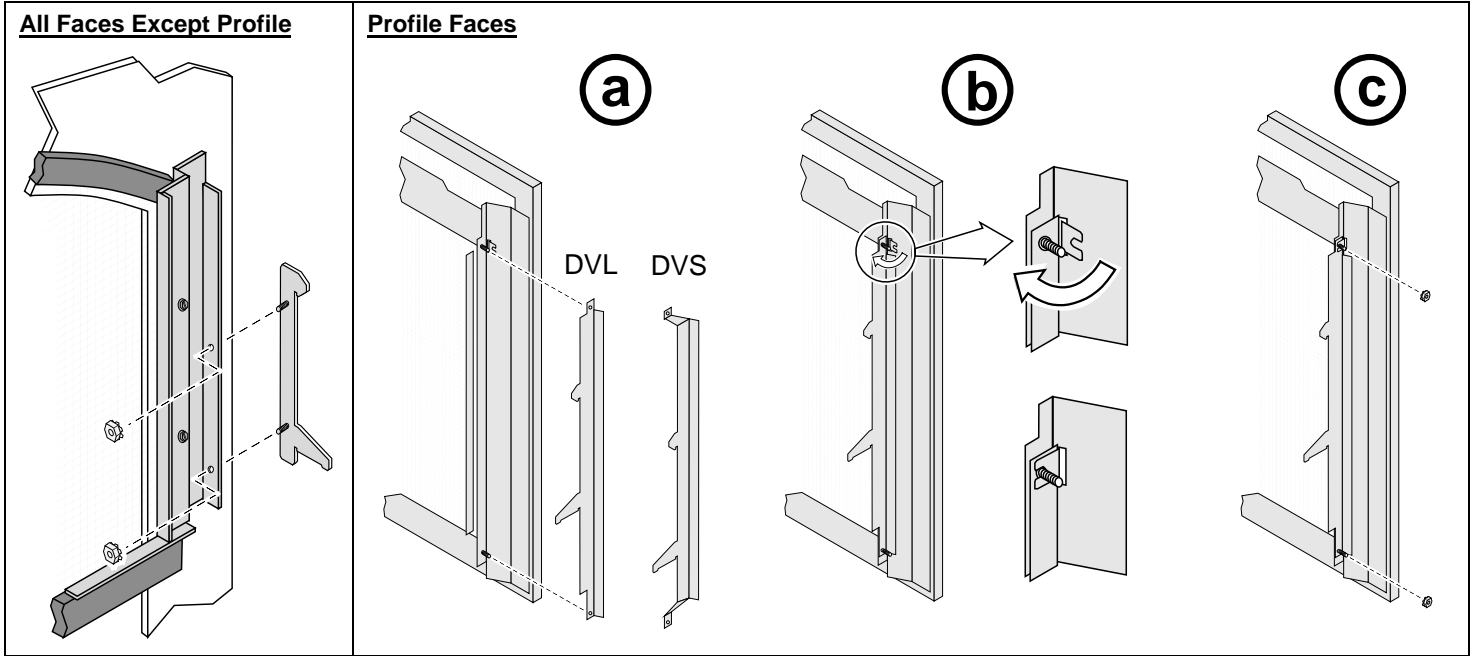


TRAVIS INDUSTRIES  
HOUSE OF FIRE

# DVL Face Installation – With Screen (2014)

Wilmington Black 95100639	Wilmington Carbon 95100640	Rosario 95200515	Rect. Black 95300596
Arched 95300591	French Country 95300595	Artisan 95300597	Artisan Patina 95300598
Profile Blk 95300671	Profile StSt 95300672	Profile Copr 95300673	Profile Brnz 95300674

2 Attach the face brackets to the face with the included nuts (see illustration below).



3 The face mounts to the insert as shown in the illustration to the right.

