

CHECK CONDITION OF SHIPMENT

Upon receipt of this kit, check the condition of the packaging. Damage to the package should be noted on the carrier's freight receipt. Any damage claims as a result of shipping must be handled through the shipper. Travis Industries will provide assistance in resolving shipping claims or replacing items not included in the package. Please report any missing items immediately.

COMPATIBILITY

• DVS Insert EF II <u>with EF II Surround Panels</u>		• DVL Insert EF II <u>with EF II Surround Panels</u>	
DVS – 4" by 6"	96100300	DVL – 4" by 6"	96100320
DVS – 8" by 10"	96100301	DVL – 8" by 10"	96100321
DVS – 10" by 13"	96100302	DVL – 10" by 13"	96100322

ITEMS NEEDED FOR ASSEMBLY

- 11/32" Wrench
- Hack Saw (for cutting the trim)
- Nibbler, Electric Shears, or other device for cutting 20 gauge sheet metal

PACKING LIST

- Lower Panel
- (2) Stud Plates
- (4) 8-32 Keps Nuts
- Side Trim (2 pieces)

INSTALLATION INSTRUCTIONS

- ! Turn the gas off prior to installing.
- 1 With the insert in place and hooked up, install the side and top surround panels (do not install the trim, rheostat, or on/off switch).
- 2 Cut the the lower panel following the directions to the right.

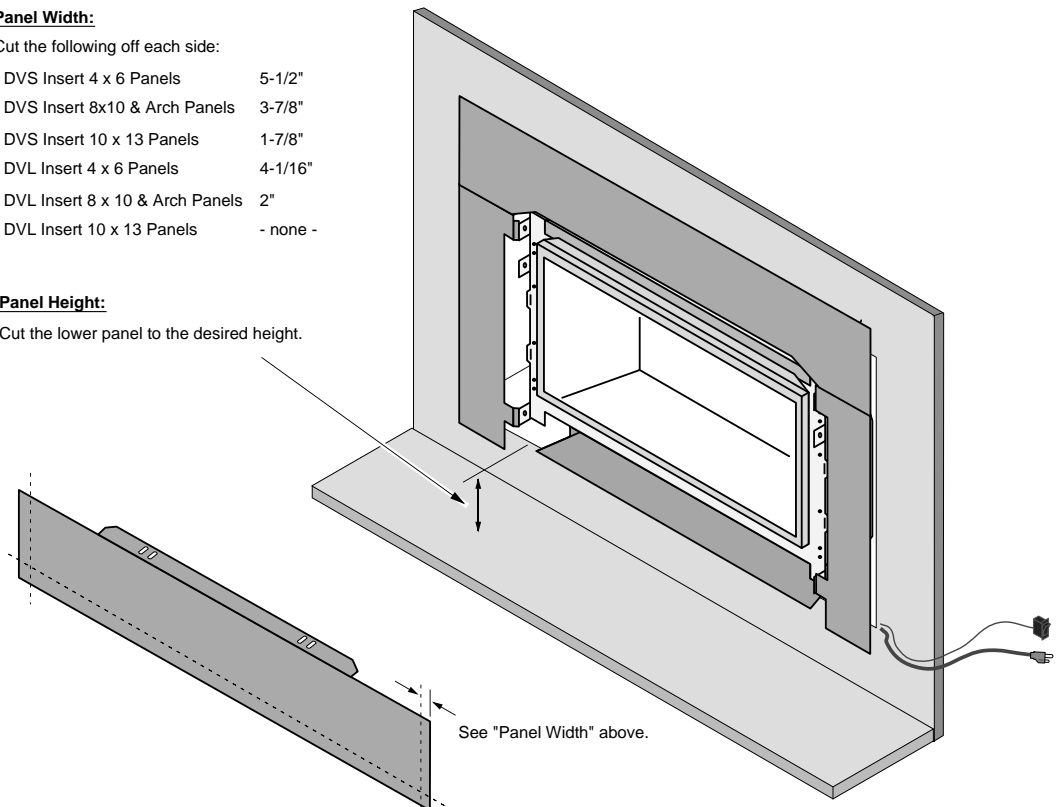
Panel Width:

Cut the following off each side:

- DVS Insert 4 x 6 Panels 5-1/2"
- DVS Insert 8x10 & Arch Panels 3-7/8"
- DVS Insert 10 x 13 Panels 1-7/8"
- DVL Insert 4 x 6 Panels 4-1/16"
- DVL Insert 8 x 10 & Arch Panels 2"
- DVL Insert 10 x 13 Panels - none -

Panel Height:

Cut the lower panel to the desired height.



3 Install the lower panel (see the illustration to the right). Make sure the panel is aligned with the side panels before tightening the nuts.

4 Cut and install the trim following the directions below.

5 Install on/off switch and rheostat (see the owner's manual for details).

