

## Part Numbers

• Lopi Large Clear	99400108	• Lopi Small Clear	99400100
• Lopi Large Etched - Elk	99400109	• Lopi Small Etched - Elk	99400104

## Compatibility

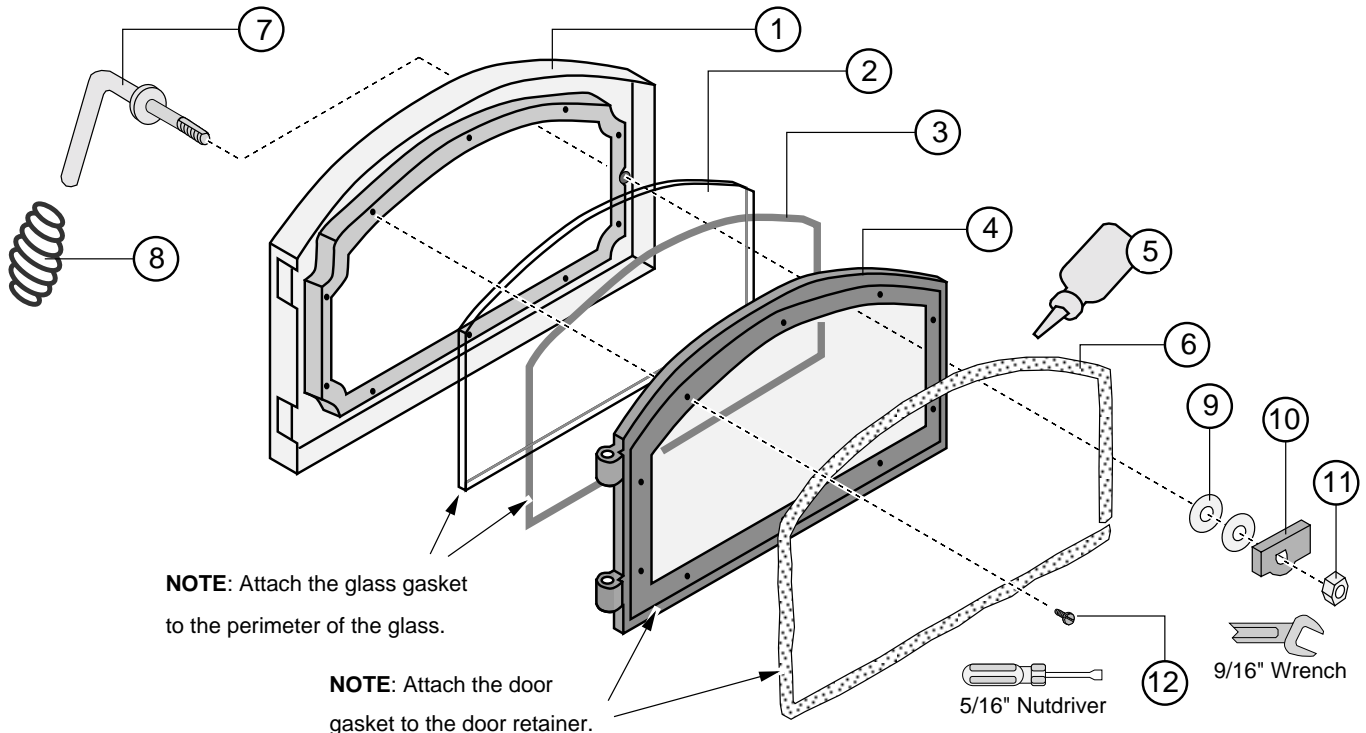
- Large Size Fits: Liberty (520), Freedom (FL), Freedom Bay (Flex) - single door
- Small Size Fits: Answer, Patriot, Endeavor (380), Revere (X) - single door & Spirit (300) Serial # 4600 or earlier

## Packing List

- Glass
- Tape Gasket (included with 99400100 & 99400108) - used for pre-2004 doors only

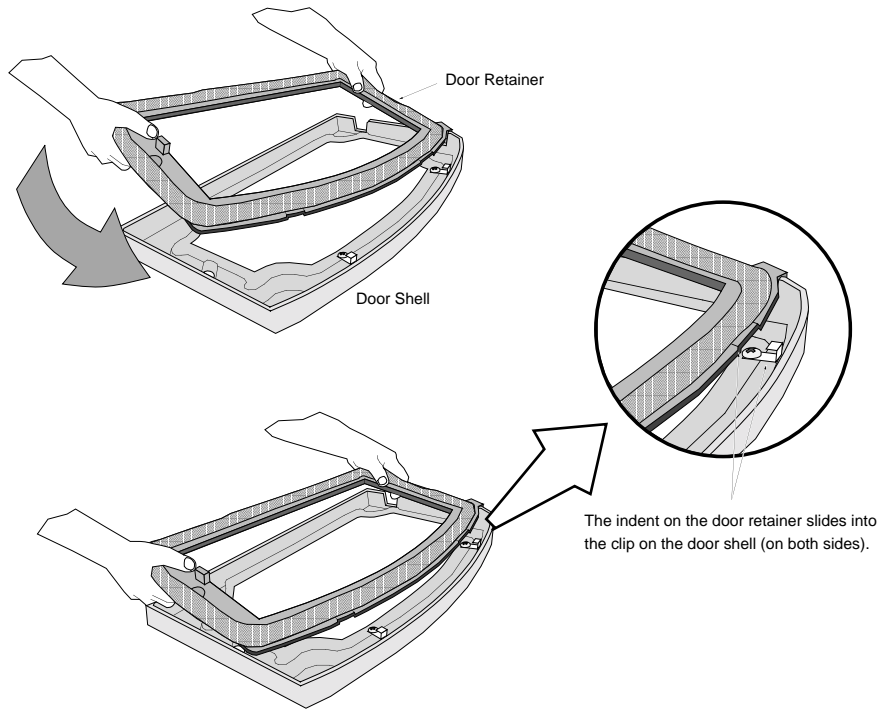
## Installation - Older Style (pre-2004)

- 1 With the stove cool, remove the door from the stove and place it on a soft surface (if broken glass is present, remove and discard it prior to moving the door).
- 2 Install the tape gasket included with this kit (item "3" in the illustration below) to the perimeter of the glass. This prevents the glass from cracking when it is secured.
- 3 Remove the handle from the door.
- 4 Remove the door retainer ("4"), keeping the door gasket ("6") in place.
- 5 Install the glass, making sure the glass gasket is the only portion that contacts the surrounding parts (on etched glass, make sure the etched side is facing out). Replace the retainer and handle to complete the installation.



## Installation - Newer Style (post-2004)

- 1 With the stove cool, open the door and remove the handle from the door (see the illustration below).
- 2 Remove the door from the stove and place it on a soft surface (if broken glass is present, remove and discard it prior to moving the door).
- 3 Loosen the two set screws on the bottom of the door and remove the door shell from the door.



4. Remove the glass clips holding the glass in place. Remove the glass (and any remnants). The glass gasket lays between the glass and door retainer (use the existing gasket or SKU 224-11086). Place the glass in place over the gasket and replace the glass clips to secure the glass.

