



CAST IRON BAY WINDOW GAS STOVES

FEATURING GREENSMART™ TECHNOLOGY



NEVER BE COLD AGAIN!



NORTHFIELD™

SMALL BAY WINDOW CAST IRON GAS STOVE



The top vented Northfield™ in this room is shown in the New Iron paint finish.

Maximum BTU Input per Hour 22,000 (NG & LP)	Minimum BTU Input per Hour 6,700 (NG) 6,300 (LP)	Heating Capacity Up to 850 sq. ft.	Canadian P.4.1 Efficiency 69.86% NG - 72.21% LP	Steady State Efficiency (High) Up to 79.96% (NG) Up to 81.37% (LP)	Weight 130 Lbs (59 Kg)
--	---	---------------------------------------	--	--	---------------------------



*The Northfield™ shown in
Oxford Brown Enamel Finish*

NORTHFIELD™ (SMALL BAY WINDOW CAST IRON STOVE)

The Northfield™ cast iron gas stove is a true work of art. It's classical Early American design and **three-side bay window fireview** more resembles a piece of fine furniture than a gas stove. And despite its size, the Northfield™ boasts an incredibly large 283 square inches of ceramic glass – which highlights the realistic wood-like fire from any angle in the room.

FEATURES YOU'RE GOING TO LOVE

- Award winning Ember-Fyre® Burner features realistic logs, glowing embers and the most wood-like fire of any gas stove.
- Standard GreenSmart™ Remote system with automatic heat/flame adjustment with a huge high-to-low flame turndown ratio - up to 70%.
- Comfort Control™ that allows you to turn off the rear burner for less heat to provide for year-round enjoyment of the fire.
- Built-in battery backup allows continued operation of your gas stove during power outages. Automatically switches back to AC when the power comes back on.
- Choice of pilot ignition modes - Choose GreenSmart™ Pilot setting to save money or Continuous Pilot during winter months where a heated chimney is needed to maintain the draft to ensure proper operation.
- The 130 CFM fan increases efficiency by enhancing the transfer of convective heat in your home. The standard fan heats your home more quickly than natural convection alone.
- The accent light adds a glowing back-light behind the logs and against the beautiful standard cast iron fireback. Whether your fire is on or off, the light makes your Northfield™ a focal point of the room. This adjustable light is perfect as a night light or as a soft indirect light for the room.





BERKSHIRE™ MEDIUM BAY WINDOW CAST IRON GAS STOVE



The Berkshire™ is shown in the Hand Rubbed Bronze Patina finish.

Maximum BTU
Input per Hour
31,000 (NG & LP)

Minimum BTU
Input per Hour
10,700 (NG) 12,600 (LP)

Heating Capacity
Up to 1,500 sq. ft.

Canadian P.4.1
Efficiency
70.82% NG - 71.56% LP

Steady State
Efficiency (High)
Up to 78.13% (NG)
Up to 79.96% (LP)

Weight
215 Lbs (97 Kg)



The Berkshire is shown in the Oxford Brown Enamel finish and with optional brick fireback.

BERKSHIRE™ (MEDIUM BAY WINDOW CAST IRON STOVE)

Think of the Berkshire™ as a functional work of art. Its classic balance, **three-side bay window fireview** and symmetry resembles a piece of fine furniture. This solidly built stove features decorative cast iron on the outside with a heavy-gauge unibody steel firebox for added durability on the inside. Design details include a large glass area, and delicate cast iron moldings that are typical of early American architectural style.

FEATURES YOU'RE GOING TO LOVE

- Award winning Ember-Fyre® Burner features realistic logs, glowing red embers and the most wood-like fire of any gas stove.
- Standard GreenSmart™ Remote system with Easy Heat/Flame Adjustment with a huge high-to-low flame turndown ratio - up to 70%.
- Comfort Control™ that allows you to turn off the rear burner for less heat and provides year-round enjoyment of the fire.
- 130 CFM Convection Blower will enhance the transfer of the natural radiant and convective heat.
- Built-in battery backup allows continued operation of your gas stove during power outages. Automatically switches back to AC when the power comes back on.
- Choice of pilot ignition modes - Choose GreenSmart™ Pilot setting to save money or Continuous Pilot during winter months where a heated chimney is needed to maintain the draft to ensure proper operation.
- The Accent Light adds a glowing light up the interior of the firebox and can be used even when the fire is off.



GREENFIELD™

LARGE BAY WINDOW CAST IRON GAS STOVE



The Greenfield™ in this room is shown in the Oxford Brown enamel finish.

Maximum BTU
Input per Hour
40,000 (NG & LP)

Minimum BTU
Input per Hour
11,900 (NG) 7,400 (LP)

Heating Capacity
Up to 2,000 sq. ft.
with fan

Canadian P.4.1
Efficiency
70.55% NG - 71.93% LP

Steady State
Efficiency (High)
Up to 79.3% (NG)
Up to 80.37% (LP)

Weight
310 Lbs (140 Kg)



The Greenfield shown in New Iron paint finish.

GREENFIELD™ (LARGE BAY WINDOW CAST IRON STOVE)

The Greenfield™ cast iron gas stove is a true revolution in stove design. Combining clean lines, graceful proportions and traditional cast appeal, this wide, bay window stove can be considered a freestanding fireplace! The number one feature on the Greenfield™ is the incredibly large 522 square inches of ceramic glass. The open, three-side glass design allows you to view the incredibly realistic log set and dancing-flames from any angle in the room.

FEATURES YOU'RE GOING TO LOVE

- Award winning Ember-Fyre® Burner features realistic logs, glowing red embers and the most wood-like fire of any gas stove.
- Standard GreenSmart™ Remote system with Easy Heat/Flame Adjustment with a huge high-to-low flame turndown ratio - up to 70% NG and 82% LP.
- Comfort Control™ that allows you to turn off the rear burner for less heat and provides year-round enjoyment of the fire.
- Built-in battery backup allows continued operation of your gas stove during power outages. Automatically switches back to AC when the power comes back on.
- Choice of pilot ignition modes - Choose GreenSmart™ Pilot setting to save money or Continuous Pilot for colder climates where a heated chimney is needed to maintain the draft to ensure proper operation.
- 160 CFM Convection Blower enhances the transfer of the natural radiant and convective heat from the stove into your home.
- The standard Accent Light adds a glowing light above the logs and against the beautiful optional fireback whether your fire is on or off. This adjustable light is perfect as a night light or as a soft indirect light for the room.



Top or Rear Vent Choice



**Black Enamel Fireback Option
(Top Vent Only)**



CAST IRON GAS STOVES

FEATURING 3-SIDE BAY WINDOW FIREVIEWING

BUILDING NORTH AMERICA'S FAVORITE FIRE

Lopi heating appliances are designed and hand-assembled at our state-of-the-art plant in Mukilteo, Washington. With over 38 years of experience manufacturing innovative hearth products, Lopi has gained a reputation for standing behind every single product we make. Some things that haven't changed throughout the years are the quality of the construction, the beauty of our gas stoves, performance you can trust, and our commitment to your satisfaction.

WHY BUY A LOPI GAS STOVE?

Like all Lopi gas products, our gas stoves are serious heaters. They are all listed as heater rated furnaces. Lopi gas stoves provide radiant heat to the immediate area, and unlike most cast iron stoves they have the added benefit of a built-in convection chamber, which circulates room air around the appliance and returns it to your room as heat. All stoves come equipped to burn natural gas (NG) or can easily be converted to propane (LP).

Lopi offers three distinct cast iron models to choose from:



NORTHFIELD™
22,000 BTU
(SMALL)



BERKSHIRE™
31,000 BTU
(MEDIUM)



GREENFIELD™
40,000 BTU
(LARGE)

REVOLUTIONARY GREENSMART™ SYSTEM

All models feature the revolutionary GreenSmart™ gas burner system and realistic Ember-Fyre® burner. The GreenSmart™ system is the latest in energy-efficient gas technology that heats the home while saving on energy usage and lowering heating bills. The real power of the GreenSmart™ system is the entire collection of components, controls and technology features. Please refer to page 10 for more detailed information.

INCREDIBLE EMBER-FYRE® TECHNOLOGY

You'll be amazed at the realism of our gas fire thanks to our patented Ember-Fyre® burner technology. Dancing yellow flames and glowing embers capture all the beauty of a real wood fire. It's the most realistic gas fire available - so real, that Popular Science® magazine awarded the Ember-Fyre® one of its top 100 innovations of the Year! You might even be tempted to stir the embers and add more wood.





STOVE FINISHES

Lopi gas stoves come in your choice of three finishes:

NEW IRON - A soft charcoal paint that echoes the richness of cast iron and helps to highlight the beautiful cast details.

HAND-RUBBED BRONZE PATINA - An exclusive hand-rubbed process drives the rich textures and colors into the metal, creating high temperature finishes with a timeless look. The Bronze Patina features layers of warmth and depth added to their color with subtle highlights around the edges, giving each stove its own unique look with classic American style.

OXFORD BROWN ENAMEL - This beautiful translucent brown enamel undergoes a 2-step process: First the stove gets a cream colored glass coat, followed up by a rich brown glass coat. During the firing process, the brown enamel pulls away from the edges of the stove to expose the subtle undercoat shining through. The result is a unique finish that highlights the detailed castings and resembles the stunning glazes found in early American pottery.



NEW IRON PAINT FINISH



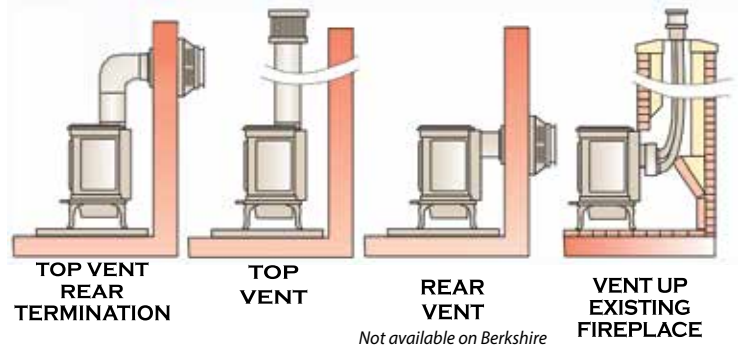
**HAND-RUBBED
BRONZE PATINA**



OXFORD BROWN ENAMEL

FLEXIBLE INSTALLATION

Lopi gas stoves feature direct vent technology and can be vented vertically or horizontally (top vent with the Berkshire and top or rear vent on the Northfield™ and Greenfield™) or up an existing chimney when installed as a hearth stove. This allows for location flexibility, and in many cases lowering installation cost.



Rear Vent Installation - The Northfield™ and Greenfield™ gas stoves have a rear vent installation option to make installing your unit as quick and easy as possible. The Minimum Rear Vent Kit is designed to give your stove optimum performance. Included in the Minimum Rear Vent Kit are: Flue adapter, 3.9" section, wall thimble, wall thimble cover, and a horizontal cap. This comes with everything you need to install your gas stove in the most cost-effective way. Talk to your Lopi™ dealer about this option.

SEVEN YEAR "REAL WORLD" WARRANTY

Lopi's "Real World Warranty" puts other manufacturer's lifetime warranties to shame. You will have the peace of mind knowing that your gas stove is supported by certified factory trained installers and retailers. The firebox on a Lopi™ gas appliance is covered for a full seven years. All parts and labor are covered for a full two years. Compare our warranty to other manufacturers' and you will find most won't tell you about their one year parts warranty or that there is no labor coverage after the first year on anything! Lopi™ truly offers the best warranty on gas appliances!



GREENSMART[™] FEATURES

GREENSMART[™] TECHNOLOGY

All 3 models feature the latest, most efficient gas technology with enhanced conveniences available and include standard convection fans and GreenSmart[™] remote control.

MULTI-FUNCTION WIRELESS THERMOSTAT REMOTE CONTROL

- Thermostat
- Fan Operation
- Comfort Control[™]
- Flame Adjustment
- Accent Light Control
- GreenSmart[™]/CPI Pilots



CONTINUOUS PILOT OR GREENSMART[™] PILOT:

This switch or your GreenSmart[™] remote allows you to run your stove in either Continuous Pilot mode or GreenSmart[™] mode. In Continuous Pilot mode, the pilot flame stays on and is ideal during cooler temperatures when maintaining a warm flue ensures reliable operation, keeps chimney caps free of ice and snow, and reduces condensation on the glass. In GreenSmart[™] mode, the pilot flame ignites via an intermittent (IPI) spark. It does not run continuously and thus conserves energy when the appliance is not being operated. The GreenSmart[™] system includes an automatic battery back-up, ensuring proper ignition even during power outages.



Front Burner Only



Front and Rear Burners On

CONTROL SETTINGS



FLAME ADJUSTMENT
Adjusts the height/heat of the flame as

you desire. 6 levels of flame height to choose from. Not used while in Smart Thermostat setting.



CONVECTION FANS
Fans circulates room air around the

firebox and delivers heated air into your home. 6 speeds to choose from.



ACCENT LIGHTS
Create a warm glow to highlight the fireplace

interior. Use year-round to add ambiance. 6 levels to choose from.



COMFORT CONTROL[™]
Turns off the back burner which lowers the BTU

input. Allows you to burn less gas on milder days when you want to enjoy a fire and not overheat your living area.

HEAT SETTINGS SETTINGS



MANUAL SETTING THERMOSTAT SETTING
ON/OFF

Fire stays where you manually set it.

SMART THERMOSTAT SETTING
Fire height will adjust automatically (up or down or OFF) to better maintain your temperature setting while enjoying the flame more often. A greener way to heat.



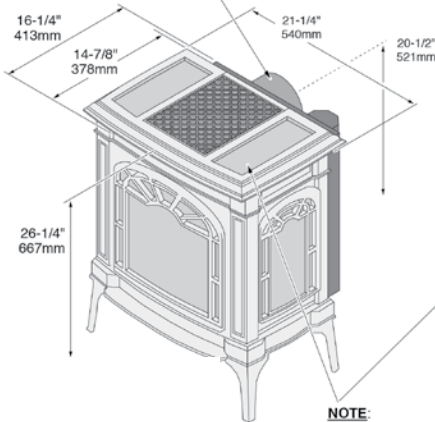
Use mobile device to watch a video of how this GreenSmart[™] remote works.

STOVE DIMENSIONS

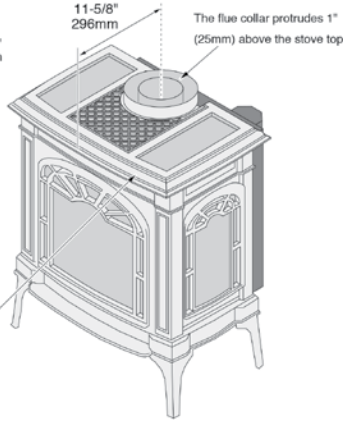
NORTHFIELD™

REAR VENT

The flue collar protrudes 3-1/2" (89mm) behind the stove top



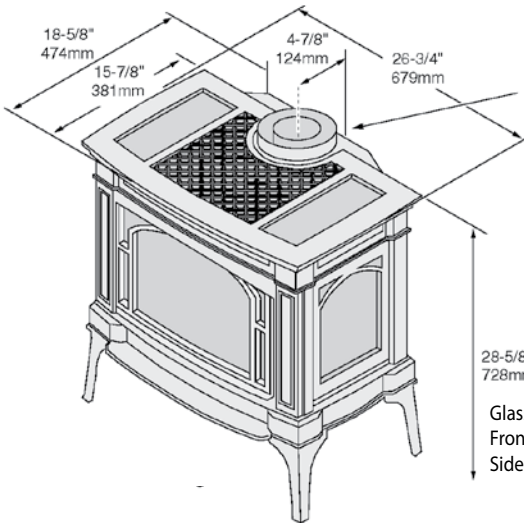
TOP VENT



NOTE: Measure side, corner, and back clearances from the stove top.

Glass Viewing Area: 283 sq. in.
Front: 12-1/2" H x 13-3/4" W
Side: 11-3/4" H x 6-1/2" W

BERKSHIRE™ TOP VENT ONLY



The flue collar protrudes 7/8" (23mm) above the stove top

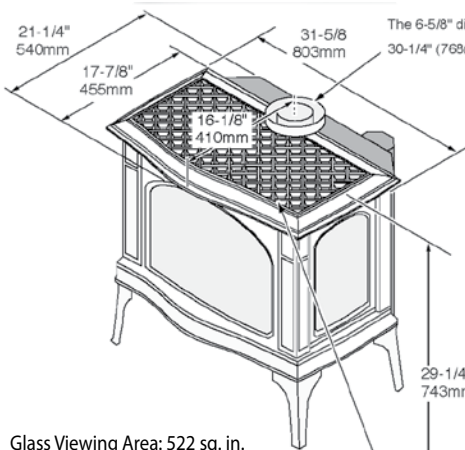
Measure side, corner, and back clearances from the stove top.

28-5/8" 728mm

Glass Viewing Area: 357 sq. in.
Front: 12" H x 15-1/4" W
Side: 10-3/4" H x 7-1/2" W

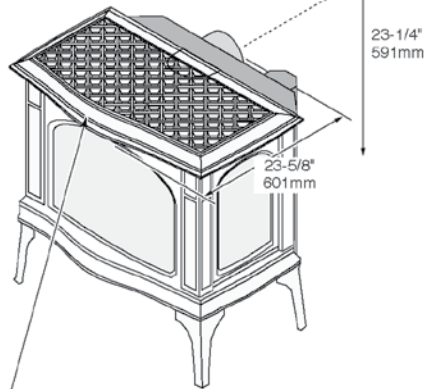
GREENFIELD™

TOP VENT



The 6-5/8" diameter flue collar is 30-1/4" (763mm) above the floor

REAR VENT



NOTE: Measure side, corner, and back clearances from the stove top.

Glass Viewing Area: 522 sq. in.
Front: 13-3/4" H x 22-1/2" W
Side: 13-3/4" H x 8-3/4" W



KEEP THEM WARM, KEEP THEM SAFE



To ensure maximum safety and enjoyment of your Lopi cast iron gas stove, we feature the ANSI approved invisible glass safety screen to prevent accidental contact with hot glass surfaces. This screen comes standard with each stove and is installed over all of the glass, acting as a safety barrier without detracting from the beautiful fire view.

Listing and IAS (ICBO) Approval

These appliances are listed to ANSI Z21.88 CSA 2.33, and approved to the Massachusetts Board of State Examiners of Plumbers and Gas Fitters. All units are mobile home approved to ANSI/NFPA 70 or CSA C22.1.

Heating Capacity

Heating capacity may vary depending on degree of home insulation, floor plan, ceiling height and the ambient temperature zone in which you live. Contact local building or fire officials about restrictions and installation requirements in your area. Your performance results may vary depending on vent configuration.

Gas Stove Efficiency

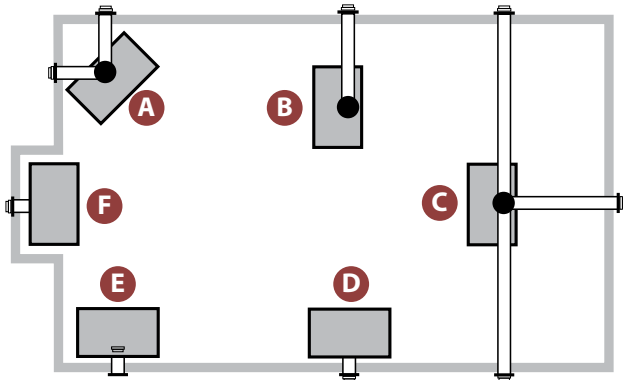
P4 Efficiency is a measure of a stove's energy efficiency performance over an entire heating season and is expressed as a percentage. The higher the rating, the more efficient the unit.

Steady State Efficiency results may vary depending on the vent configuration.

STOVE PLACEMENT & CLEARANCES TO COMBUSTIBLES

LOCATION OPTIONS WITH DIRECT VENT SYSTEM

Direct Venting System provides for horizontal or vertical venting through the outside wall or ceiling, allowing you to install your stove virtually anywhere in the room.



You can install your stove in any of these configurations:

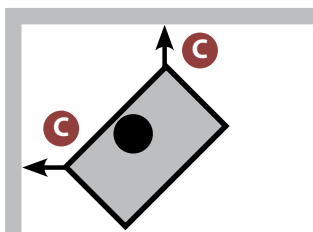
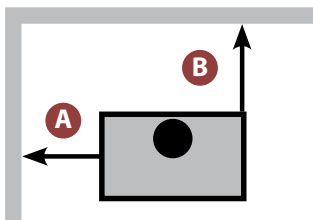
- A - Cross Corner
- B - Room Divider
- C - Island
- D - Flat on Wall
- E - Flat on Wall Corner
- F - Flat with Wall/Alcove

Where would you like the stove to go in your home?

CLEARANCES TO COMBUSTIBLES

The information on this page is for reference ONLY! Installation information is available through your Lopi dealer or through the Lopi website at www.lopistoves.com.

All measurements are to be taken from stove top to combustible walls.



NORTHFIELD™ (SMALL)	BERKSHIRE (MEDIUM)	GREENFIELD (LARGE)
A - Stove to Sidewall 3 1/2"	A - Stove to Sidewall 10"	A - Stove to Sidewall 10"
B - Stove to Backwall 5" (Top Vent) 8 1/2" (Rear Vent)	B - Stove to Backwall 5"	B - Stove to Backwall 5" (Top Vent) 8 1/4" (Rear Vent)
NORTHFIELD™	BERKSHIRE	GREENFIELD
C - Stove to Corner 1"	C - Stove to Corner 5"	C - Stove to Corner 5"

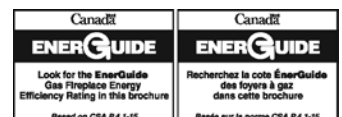
HEARTH PADS

A non-combustible hearth pad is required when the stove is installed directly on carpeting, vinyl or combustible flooring other than wood. A metal or wood hearth pad must extend the full width and depth of the stove. No hearth pad is required if the stove is installed on non-combustible flooring (tile, stone, brick) or if installed on a wood or wood laminate floor.

Your Authorized Lopi Dealer Is Located At:



www.lopistoves.com



Photos and illustrations are for descriptive purposes only. We reserve the right to improve or change our products without prior notification. Ember-Fyre®, GreenSmart™ and all other trademarks belong to Travis Industries, Inc. Consult the Owner's Manual for complete installation requirements. Lopi® Gas Stoves are protected by one or more of the following patents; U.S. 8,469,021, 7,066,170, 6,602,068, 6,443,726, 6,953,037; Canada 2755517 as well as other U.S. and Foreign Patents pending.